

Applications

Beam style	cool beam, flat field profile projector
Suitable for	architectural, display and retail areas
Specification level	professional range
Beam angle	10° - 28°
Typical throw distance	2-10 m

Electrical specifications

Supply volts	230/240V AC single phase
Max. lamp Watts	70W
Lamp-base	G12
Ballast	built-in and power factor corrected
Cable/connection	1.5m, black flexible cable to bare ends 3 x 1.5mm ²
Standard compliance	EN60598-2-17, CE marked

Mechanical specifications

Paint/ Finish	black, white, silver epoxy power paint
Lamp house construction	extruded alluminium and sheet steel
Reflector	ø55mm, glass
Lens	double condenser with variable zoom
Mounting & Sospension	steel stirrup with 12 mm centre hole and DIN mounting.
Rear handle	yes
Weight/ packed weight	8.5 kg / 10 kg
packed volume	0.068m ³
Filter cut size	125 x 125mm
Gobo size	M/D, metal
Rotating gate	yes, 4 for shutter
Accessory runners	3slots
Safety guards	included
Colour frame	metal, 125x125mm, supplied
Lamp access	top panel
Lens access	sliding panels on top of lamp and zoom tube

Operational specifications

Focus adjustment	slide focus with control underneath
Working position	max. tilting ±70° from horizontal
Beam Shaping	4 shutters, supplied + iris, accessory
Positional	single rim-clamp tilt lock

Lamp type

3000K	Philips 70W CDM-T 70/830 G12 12000 ore
4200K	Philips 70W CDM-T 70/942 G12 12000 ore

LDR recommends Philips lamps

Accessories

Spare metal colour frame	■ 20100102 □ 20100102B ■ 20100102C
Gobo holder M/D size	20100812
iris diaphragm	20100701
Hock clamp	20100900 Alu-grip clamp 20101100
Safety bond	20101200

Photometric Data

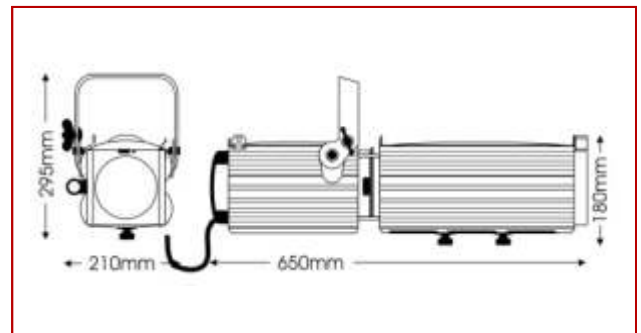
Narrow focus		CDM-T 70/942						
Beam Ø	0.3	0.5	0.7	0.9	1.0	1.2	m	
lux	5880	2613	1470	941	653	480		
Distance	2	3	4	5	6	7	m	

Wide focus								
Beam Ø	1	1.5	2	2.5	3	3.5	m	
lux	1500	667	375	240	167	122		
Distance	2	3	4	5	6	7	m	

SOFFIO[®] 10/28

70W discharge profile

part number: ■ 10073020 □ 10073021 ■ 10073022



Ideal for display highlighting, this 10°-28° profile spotlight uses a compact 70W discharge lamp combined with a double-condenser optical system. The cool beam design enables a wide range of metal, dichroic or acetate gobos and slides to be used to project images in architectural applications.

Available to special order in any colour from the RAL range, Soffio 10/28 is supplied with a built-in ballast, colour frame, 4 shutter blades and 1.5m mains cable.



Distributed by:
AMLUX s.r.l.
 Via Belgio, 11/13
 46042 Castel Goffredo (MN), Italy
www.amlux.it info@amlux.it