

Applications

Beam style	variable-spread, soft-edged beam
Suitable for	architectural, display and retail areas
Specification level	professional range
Beam angle	7° - 63°
Typical throw distance	2-20 m

Electrical specifications

Supply volts	208/230/240V AC single phase 50/60 hZ
Max. lamp Watts	250W
Lamp-base	GY9.5
Ballast	built-in and power factor corrected
Cable/connection	1.5m, black flexible cable 3 x 1.5mm ²
Standard compliance	EN60598-2-17, CE marked

Mechanical specifications

Paint finish	black, white or silver epoxy powder paint
Lamp house construction	extruded aluminium and sheet steel
Reflector	ø55mm, glass
Lens	fresnel, ø120mm
Mounting & Sospension	steel stirrup with controle pole and DIN connector
Rear handle	yes
Weight/ packed weight	8.6 kg / 10 kg
packed volume	0.05m ³
Filter cut size	150 x 150mm
Accessory runners	3slots
Safety guards	accessory
Colour frame	metal, 150x150mm, supplied
Lamp access	removable top panel
Lens access	front and via lamp access

Operational specifications

Focus adjustment	slide focus with control underneath
Working position	max. tilting ±70° from horizontal
Beam shaping	4 leaf barn door
Positional adjustment	single rim-clamp tilt lock

Lamp types

6700K	Philips MSD 250 GY9.5 3000 hrs
8500K	Philips MSD 250/2 GY9.5 3000 hrs

LDR recommends Philips lamps

Accessories

Spare metal colour frame	■20100103	□20100103B	■20100103C
Spare safety guard	■20100203	□20100203B	■20100203C
4-leaf barndoor	■20100303	□20100303B	■20100303C
	□■20100303D	■20100303E	
Hock clamp	20100900	Alu-grip clamp	20101100
Safety bond	20101200		
Colour scroller Express 13	20106013 with mounting plate	20600003	

Photometric Data

spot focus	Philips MSD 250/2									
BeamØ	0.2	0.4	0.5	0.6	0.7	0.9	1	1.1	1.2	m
lux	23150	10289	5788	3704	2572	1890	1447	1143	926	
Distance	2	3	4	5	6	7	8	9	10	m

Flood focus

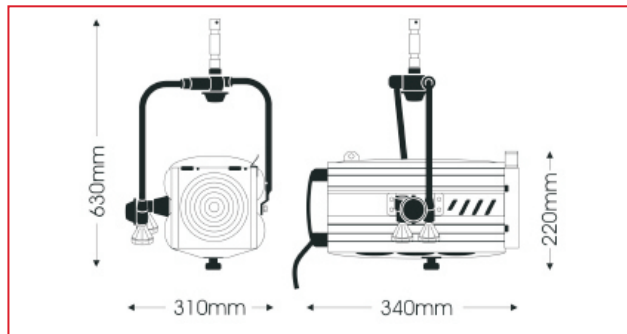
BeamØ	2.5	3.7	4.9	6.1	7.4	8.6	9.8	11	12.3	m
lux	3300	1467	825	528	367	269	206	163	132	
Distance	2	3	4	5	6	7	8	9	10	m

SUONO® F250 MSD P.O.

250W,208/230/240V

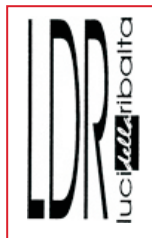
discharge fresnel

code: ■ 12201080 □ 12201081 ■ 12201082



High power discharge Fresnel spotlight for display and internal architectural lighting applications. Suono f250 uses a 250W MSD lamp and produces a soft-edged beam with a variable beam angle ranging from 7° to 63°.

A multi-frequency built-in ballast, colour frame and 1.5m mains cable are all supplied as standard. Available to special order in any colour from the RAL range.



Distributed by:
AMLUX s.r.l.
 Via Belgio, 11/13
 46042 Castel Goffredo (MN), Italy
www.amlux.it info@amlux.it