

Applications

Beam style	variable-spread, soft-edged beam
Suitable for	architectural, display and retail areas
Specification level	professional range
Beam angle	7° - 63°
Typical throw distance	2-15

Electrical specifications

Supply volts	230/240V AC single phase
Max. lamp Watts	150W
Lamp-base	G12
Ballast	built-in and power factor corrected
Cable/connection	1.5m, black flexible cable 3 x 1.5mm ²
Standard compliance	EN60598-2-17, CE marked

Mechanical specifications

Paint finish	black, white or silver epoxy powder paint
Lamp house construction	extruded aluminium and sheet steel
Reflector	ø55mm, glass
Lens	fresnel, ø120mm
Mounting & Suspension	steel stirrup with control pole and DIN connector
Rear handle	yes
Weight/ packed weight	8.2 kg / 9.8kg
packed volume	0.05m ³
Filter cut size	125 x 125mm
Accessory runners	3slots
Safety guards	accessory
Colour frame	metal, 125x125mm, supplied
Lamp access	top panel
Lens access	front and via lamp access

Operational specifications

Focus adjustment	slide focus with control underneath
Working position	max. tilting ±70° from horizontal
Beam shaping	4 leaf barn door
Positional adjustment	single rim-clamp tilt lock

Lamp types

3000K	Philips 150W CDM-T 150/830 9.000 hrs
4200K	Philips 150W CDM-T 150/942 9.000 hrs
4200K	Philips 150W CDM-T SA 150/942 6.000 hrs

LDR recommends Philips lamps

Accessories

Spare metal colour frame	■20100102	□20100102B	■20100102C
Spare safety guard	■20100202	□20100202B	■20100202C
4-leaf barndoor	■20100302	□20100302B	■20100302C
	□■20100302D	■20100302E	
Hock clamp	20100900	Safety bond	20101200
Electrical adapter	see separate literature		
Mechanical track adapter	see separate literature		

Photometric Data

spot focus	CDM-TD 150/942									
BeamØ	0.2	0.4	0.5	0.6	0.7	0.9	1	1.1	1.2	m
lux	13360	5938	3340	2138	1484	1091	835	660	534	
Distance	2	3	4	5	6	7	8	9	10	m

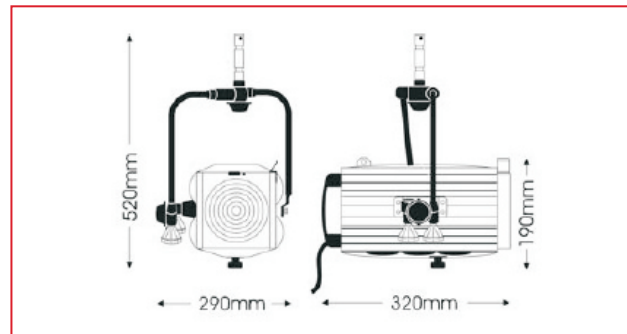
Flood focus										
BeamØ	2	3.1	4.1	5.1	6.1	7.1	8.2	9.2	10.2	m
lux	1800	800	450	288	200	147	113	89	72	
Distance	2	3	4	5	6	7	8	9	10	m

LUCI DELLA RIBALTA PROFESSIONAL LIGHTING PRODUCTS

SOFFIO[®] F 150 P.O.

150 W
discharge fresnel

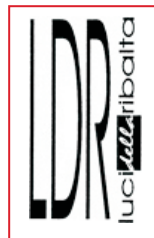
code: ■ 12151080 □ 12151081 ■ 12151082



Ideal for display lighting and theatrical-style illumination of architectural spaces, the Soffio Fresnel produces a bright soft-edged beam, variable from 7° to 63°, shaped using an optional 4-leaf barndoor accessory.

With a choice of 150W discharge lamps to give a warm or cool colour temperature, the high power, low consumption and low maintenance design is perfectly suited to architectural applications.

Available to special order in any colour from the RAL range, Soffio f150 is supplied with a built-in ballast, colour frame and 1.5m mains cable.



Distributed by:
AMLUX s.r.l.
Via Belgio, 11/13
46042 Castel Goffredo (MN), Italy
www.amlux.it info@amlux.it