

Application	
Beam style	asymmetric flood
Suitable for	small- scale theater, cyclorama lighting
Specification level	professional range
Typical throw distance	2 - 10 m

Electrical specifications	
Supply Volts	230/240V AC single phase
Max. Lamp Watts	1250W
Lamp base	R7s
Auto-disconnect	no
Cable/connection	1.5m, 3 x 1.5mm <sup>2</sup> flexible cable to bare ends
Standard Compliance	EN60598-2-17, marchio CE

Mechanical specifications	
Paint/Finish	black/silver/white epoxy powder paint
Lamp House Construction	1-Compartment. may be coupled together fwith identical units to create a 2/3/4 compartment batten, available accessories for domino assembling
Reflector	asymmetrical-aluminium
Mounting & suspension	pole-operated stirrup with DIN spigot for the control of pan and tilt movement
Weight/Packed Weight	7 kg / 9.5 kg
Packed volume	0.069m <sup>3</sup>
Filter cut size	290 x 270mm
Accessory runners	1slots
Safety guard/glass	included
Colour frame	metal, 290 x 270mm, supplied
Lamp access	front access

Operational specification	
Working position	Max ±180° from horizontal
Positional adj	tilt lock on one side

Lamp types	
625W	P2/10 R7s 230/240V 3200K 150 hrs
1000W	P2/7 R7s 230/240V 3200k 200 hrs
1250W	P2/12 R7s 230/240V 3200K 200 hrs

LDR recommends Philips lamps

Accessories	
Colour-frame spare	■20100112 □20100112B ■20100112C
Safety guard	■20100220 □20100220B ■20100220C
4-leaf barndoor	■20100492 □20100492B ■20100492C □■20100492D ■■20100492E
Hook clamp	20100900
Safety bond	20101200
Clear safety glass	20101412
Kit for linear mounting 2 rima	20102612
Kit for linear mounting 3 rima	20102612
Kit for linear mounting 4 rima	20102614
Kit for square mounting	20101912

Photometric data											
Horizontal											P 2/7
Beam Ø	4.8	7.2	9.5	11.9	14.3	16.7	19.1	21.5	23.8	m	
lux	4688	2083	1172	750	521	383	293	231	188		
Distance	2	3	4	5	6	7	8	9	10	m	
Vertical											
Beam Ø	5.7	8.6	11.4	14.3	17.1	20.0	22.9	25.7	28.6	m	
lux	4950	2200	1238	792	550	404	309	244	198		
Distance	2	3	4	5	6	7	8	9	10	m	

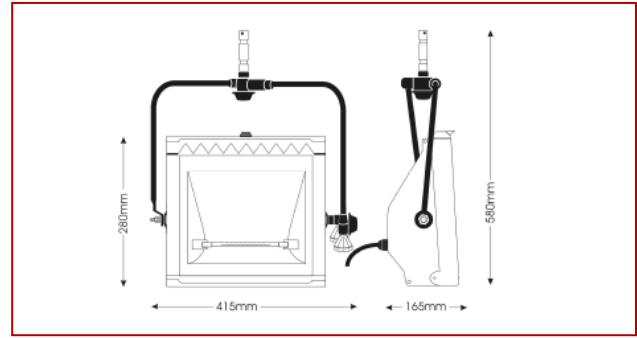
LUCI DELLA RIBALTA PROFESSIONAL LIGHTING PRODUCTS

# INNO<sup>®</sup> A 1000 P.O.

## 625-1250W

### asymmetric floodlight

part num: ■ 12806050 □ 12806051 ■ 12806051



Asymmetric 1Kw floodlight featuring a pole-operated stirrup for the control of pan and tilt. Ideal to evenly illuminate a backcloth, cyclorama or scenic pieces from an oblique angle in larger venues or TV studios.

Each unit has a hinged front access door and a double-microswitch interlock for safe lamp replacement.

A colour frame, safety glass and 1.5m mains cable is also included for each unit.



Distributed by:  
**AMLUX s.r.l.**  
 Via Belgio, 11/13  
 46042 Castel Goffredo (MN), Italy  
[www.amlux.it](http://www.amlux.it) [info@amlux.it](mailto:info@amlux.it)