

## Applications

Beam style	variable-spread, soft-edge beam
Suitable for	medium to large scale theatre
Specification level	professional range
Beam angle	10° - 56°
Typical throw distance	2-15 m

## Electrical specifications

Supply volts	230/240V AC single phase
Max. lamp Watts	1200W
Lamp-base	GX9.5
Auto-disconnect	double-pole microswitch
Cable/connection	1.5m, 3 x 1.5mm <sup>2</sup> flexible cable to bare ends
Standard compliance	EN60598-2-17, CE marked

## Mechanical specifications

Paint/ finish	black, white or silver epoxy power paint
Lamp house construction	extruded aluminium and sheet steel
Reflector	Ø100mm, aluminium
Lens	Ø150mm pebble convex
Mounting & Suspension	pole-operated stirrup with DIN spigot for the control of pan and tilt movement

Rear handle	yes
Weight/ packed weight	7.3 kg / 9 kg
packed volume	0.05m <sup>3</sup>
Filter cut size	185x 185mm
Accessory runners	3slots
Safety guards	included
Colour frame	metal, 185x185mm, supplied
Lamp access	hinged base
Lens access	front and via lamp access

## Operational specifications

Focus adjustment	screw focus with front and rear control
Working position	max. tilting ±90° from horizontal
Beam Shaping	using barndoor accessory
Positional	single rim-clamp tilt lock

## Lamp type

650W	CP67 3200K 120 hrs / T21 3000K 900 hrs
1000W	CP70 3200K 240 hrs / T19 3050K 900 hrs
1200W	CP90 3200K 240 hrs / T29 3000K 480 hrs

### LDR recommends Philips lamps

## Accessories

Spare metal colour frame	■20100106 □20100106B ■20100106C
Spare safety guard	■20100206 □20100206B ■20100206C
4-leaf barndoor	■20100306 □20100306B ■20100306C □■20100306D ■■20100306E
Hock clamp	20100900 Alu-grip clamp 20101100
Safety band	20101200
Colour scroller Xpress 19	20106019 with mounting plate 20600006

## Photometric Data

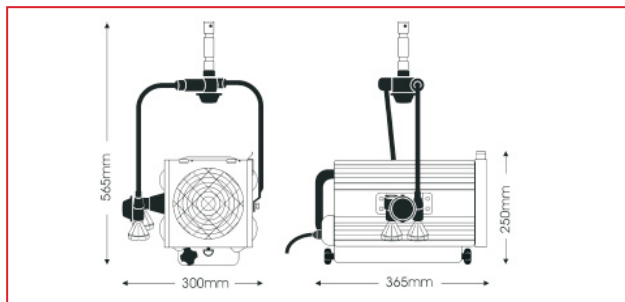
Spot focus	CP90									
BeamØ	1.2	1.4	1.6	1.7	1.9	2.1	2.3	2.4	2.6	m
lux	2612	2000	1580	1280	1058	889	757	653	569	
Distance	7	8	9	10	11	12	13	14	15	m

Flood focus										
BeamØ	2.1	3.2	4.3	5.3	6.4	7.4	8.5	9.6	10.6	m
lux	3200	1422	800	512	356	261	200	158	128	
Distance	2	3	4	5	6	7	8	9	10	m

# NOTA<sup>®</sup> F1200 plus P.O.

650W - 1200W  
fresnel

part num: ■ 12851000 □ 12851001 ■ 12851002



Quality 1/1200W fresnel spotlight fitted with a poleoperated stirrup to control pan and tilt movement. It's ideal for all those applications where the luminaires are difficult to access and whose position needs to be changed frequently. It includes screw focus variable spread soft-edged beam, front hinging lamp tray, adjustable lamp-base and double-microswitch interlock for safe lamp replacement.

A colour frame, safety guard and 1.5m mains cable are included as standard.



Distributed by:  
**AMLUX s.r.l.**  
Via Belgio, 11/13  
46042 Castel Goffredo (MN), Italy  
[www.amlux.it](http://www.amlux.it) [info@amlux.it](mailto:info@amlux.it)