

Application	
Beam style	asymmetric flood
Suitable for	cyclorama lighting, large scale theatre
Specification level	professional range
Typical throw distance	2 - 10 m

Electrical specifications	
Supply Volts	230/240V AC single phase
Max. Lamp Watts	1250W
Lamp base	R7s
Auto-disconnect	double-polemicroswitch
Cable/connection	1.5m, 3 x 1.5mm ² flexible cable to bare ends
Standard Compliance	EN60598-2-17, CE marked

Mechanical specifications	
Paint/Finish	black/silver/white epoxy powder paint
Lamp House Construction	1-Compartment. may be coupled together fwith identical units to create a 2/3/4 compartment batten, available accessories for domino assembling
Reflector	asymmetrical-aluminium
Mounting & suspension	steel stirrup with 12mm centre hole and DIN mounting
Weight/Packed Weight	5.3 kg / 7.1 kg
Packed volume	0.069m ³
Filter cut size	290 x 270mm
Accessory runners	1 slot
Safety guard/glass	included
Colour frame	metal, 290 x 270mm, supplied
Lamp access	front access

Operational specification	
Working position	Max. tilting ±180° from horizontal
Positional adj	tilt lock on one side

Lamp types	
625W	P2/10 R7s 230/240V 3200K 150 hrs
1000W	P2/7 R7s 230/240V 3200k 200 hrs
1250W	P2/12 R7s 230/240V 3200K 200 hrs

LDR recommends Philips lamps

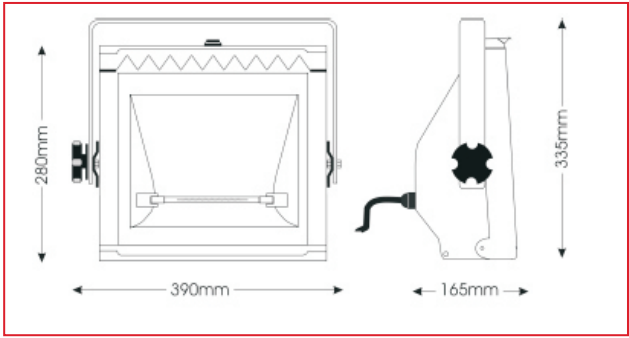
Accessories	
Spare metal colour frame	■ 20100112 □ 20100112B ■ 20100112C
Spare Clear safety glass	■ 20101412
4-leaf barndoor	■ 20100492 □ 20100492B ■ 20100492C
3-leaf barndoor	■ 20100612 □ 20100612B ■ 20100612C
2-leaf barndoor	■ 20100512 □ 20100512B ■ 20100512C
2-leaf b/door sq. mounting left	20100512L
2-leaf b/door sq. mounting right	20100512R
Kit for square mounting	20101912
Kit for linear mounting 2/3 Innos	20102612
Kit for linear mounting 4 Innos	20102614
Hook clamp	20100900
Safety bond	20101300

Photometric data											
Horizontal											P 2/7
Beam Ø	4.8	7.2	9.5	11.9	14.3	16.7	19.1	21.5	23.8		m
lux	4688	2083	1172	750	521	383	293	231	188		
Distance	2	3	4	5	6	7	8	9	10		m
Vertical											
Beam Ø	5.7	8.6	11.4	14.3	17.1	20.0	22.9	25.7	28.6		m
lux	4950	2200	1238	792	550	404	309	244	198		
Distance	2	3	4	5	6	7	8	9	10		m

INNO[®] A 1000

625-1250W asymmetric floodlight

part num: ■ 10806050 □ 10806051 ■ 10806052



This asymmetric 1Kw floodlight evenly illuminates a backcloth, cyclorama or scenic pieces from an oblique angle in larger venues. Each unit has a hinged front access door and a double-microswitch interlock for safe lamp replacement. The modular design enables several units to be coupled together to form a compartment batten. A colour frame, safety glass and 1.5m mains cable is also included for each unit.

To special order also available with extended front-door



Distributed by:
AMLUX s.r.l.
 Via Belgio, 11/13
 46042 Castel Goffredo (MN), Italy
www.amlux.it info@amlux.it