

## Applications

|                        |   |
|------------------------|---|
| Beam style             | well defined, flat field profile projection |
| Suitable for           | large scale theater                         |
| Specification level    | professional range                          |
| Beam angle             | 30° - 55°                                   |
| Typical throw distance | 4- 12 m                                     |

## Electrical specifications

|                     |  |
|---------------------|--|
| Supply volts        | 230/240V AC single phase                                     |
| Max. lamp Watts     | 2000W  |
| Lamp-base           | GY16   |
| Auto-disconnect     | double-pole microswitch                                      |
| Cable/connection    | 2m, black flexible cable to bare ends 3 x 2.5mm <sup>2</sup> |
| Standard compliance | EN60598-2-17, CE marked                                      |

## Mechanical specifications

|                         |  |
|-------------------------|--|
| Paint/ Finish           | black, epoxy power paint                               |
| Lamp house construction | extruded aluminium and sheet steel                     |
| Reflector               | ø68mm, aluminium                                       |
| Lens                    | double condenser with variable zoom                    |
| Mounting & Sospension   | steel stirrup with 12 mm centre hole and DIN mounting. |
| Rear handle             | yes  |
| Weight/ packed weight   | 13.7 kg / 16.5 kg                                      |
| packed volume           | 0.11m <sup>3</sup>                                     |
| Filter cut size         | 185 x 185mm  |
| Gobo size               | M/D, metal   |
| Rotating gate           | yes, 4 for shutter                                     |
| Accessory runners       | 3slots   |
| Safety guards           | supplied   |
| Colour frame            | metal, 185x185mm, supplied                             |
| Lamp access             | hinged base  |
| Lens access             | hinged panel on top of lamp tube                       |

## Operational specifications

|                  |   |
|------------------|---|
| Focus adjustment | slide zoom controls (dia end softness) and side |
| Working position | max. tilting ±70° from horizontal               |
| Beam Shaping     | 4 shutters, included + iris, accessory          |
| Positional       | level tilt clamp                                |

## Lamp type

|       |                                  |
|-------|----------------------------------|
| 2000W | CP72 GY16 230/240V 3200K 480 hrs |
|-------|----------------------------------|

### LDR recommends Philips lamps

## Accessories

|                           |           |                               |
|---------------------------|-----------|-------------------------------|
| Spare metal colour frame  | ■20100106 |                               |
| Spare safety guard        | ■20100206 |                               |
| iris diaphragm            | 20100706  | Gobo holder M/D size 20100806 |
| Hock clamp HD             | 20101000  | Alu-grip clamp 20101100       |
| Safety bond               | 20101200  |                               |
| Colour scroller Xpress 19 | 20106019  | with mounting plate 20600006  |

## Photometric Data

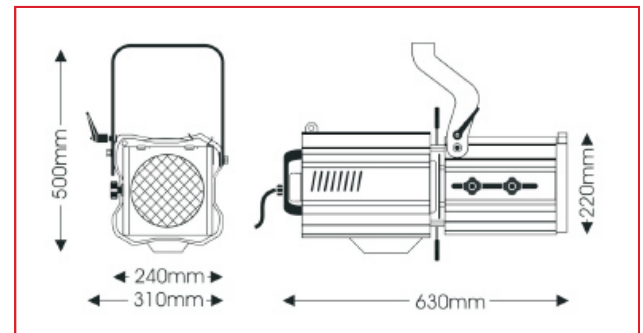
| Narrow focus |      |      |      |      |      |      |      |     |     |   | CP72 |
|--------------|------|------|------|------|------|------|------|-----|-----|---|------|
| BeamØ        | 2.1  | 2.7  | 3.2  | 3.8  | 4.3  | 4.8  | 5.4  | 5.9 | 6.4 | m |      |
| lux          | 6263 | 4008 | 2783 | 2045 | 1566 | 1237 | 1002 | 828 | 696 |   |      |
| Distance     | 4    | 5    | 6    | 7    | 8    | 9    | 10   | 11  | 12  | m |      |

| Wide focus |      |      |      |     |     |     |      |      |      |   |
|------------|------|------|------|-----|-----|-----|------|------|------|---|
| BeamØ      | 4.2  | 5.2  | 6.2  | 7.3 | 8.3 | 9.4 | 10.4 | 11.5 | 12.5 | m |
| lux        | 2406 | 1540 | 1069 | 786 | 602 | 475 | 385  | 318  | 267  |   |
| Distance   | 4    | 5    | 6    | 7   | 8   | 9   | 10   | 11   | 12   | m |

# TONO<sup>®</sup> 30/55

## 2000W profile spotlight

part number: ■ 10903040



Extremely wide-angle 2000W profile spotlight for very close projection in larger venues.

It incorporates a zoom focus double condenser optical system, rotating gate, a cranked fork and a double microswitch interlock for safe lamp replacement

A colour frame, safety guard, 4 beam shutters and 2m mains cable are also included.



Distributed by:  
**AMLUX s.r.l.**  
Via Belgio, 11/13  
46042 Castel Goffredo (MN), Italy  
[www.amlux.it](http://www.amlux.it) [info@amlux.it](mailto:info@amlux.it)