

Applications

Beam style	variable-spread, tight-edged beam
Suitable for	theatre, clubs, small stage areas
Specification level	professional range
Beam angle	7° - 58°
Typical throw distance	2-10

Electrical specifications

Supply volts	230/240V AC single phase
Max. lamp Watts	650W
Lamp-base	GY9.5
Auto-disconnect	no
Cable/connection	1.5m, black flexible cable 3 x 1.5mm ²
Standard compliance	EN60598-2-17, CE marked

Mechanical specifications

Paint finish	black epoxy power paint
Lamp house construction	extruded aluminium and sheet steel
Reflector	ø55mm, diameter glass
Lens	ø120mm pebble convex
Mounting & Suspension	steel stirrup with 12 mm centre hole and DIN mounting. Stirrup rotates 360° around the body of the luminaire
Rear handle	yes
Weight/ packed weight	4.3 kg / 5,7 kg
packed volume	0.05m ³
Filter cut size	150 x 150mm
Accessory runners	3slots
Safety guards	included
Colour frame	metal, 150x150mm, supplied
Lamp access	hinged base
Lens access	front and via lamp access

Operational specifications

Focus adjustment	slide focus with control underneath
Working position	max. tilting ±90° from horizontal
Beam Shaping	using barndoor accessory
Positional	single rim-clamp tilt lock

Lamp type

300W	M38 2950K 2000 hrs
500W	T18 3000K 360 hrs / T25 3000K 360 hrs / M40 2950K 2.000 hrs
650W	T26 3050K 600 hrs / T27 3050K 600 hrs

LDR recommends Philips lamps

Accessories

Spare metal colour frame	■20100103 □20100103B ■20100103C
Spare safety guard	■20100203 □20100203B ■20100203C
4-leaf barndoor	■20100303 □20100303B ■20100303C □■20100303D ■■20100303E
Hock clamp	20100900 Alu-grip clamp 20101100
Safety band	20101200
Colour scroller Xpress 13	20106013 with mounting plate 20600003

Photometric Data

Spot focus	T27									
BeamØ	0.2	0.4	0.5	0.6	0.7	0.9	1.0	1.1	1.2	m
lux	24800	11022	6200	3968	2756	2024	1550	1225	992	
Distance	2	3	4	5	6	7	8	9	10	m

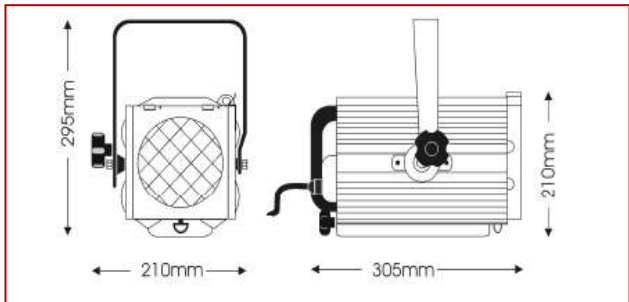
Flood focus										
BeamØ	2.2	3.3	4.4	5.5	6.7	7.8	8.9	10	11.1	m
lux	2148	955	537	344	239	175	134	106	86	
Distance	2	3	4	5	6	7	8	9	10	m

LUCI DELLA RIBALTA PROFESSIONAL LIGHTING PRODUCTS

SUONO® PC650 plus

650W Pebble-convex

part num: ■ 10602010 □ 10602011 ■ 10602012



Quality 300/500/650W PC spotlight ideal for professional usage in smaller venues.

The well-defined beam is adjustable by a screw focus mechanism, and the design also includes a hinged lamp-tray and a double-microswitch interlock for safe lamp replacement.

A colour frame, safety guard and 1.5m mains cable are all included as standard.



Distributed by:
AMLUX s.r.l.
 Via Belgio, 11/13
 46042 Castel Goffredo (MN), Italy
www.amlux.it info@amlux.it