

Applications

Beam style	variable-spread, soft-edged beam
Suitable for	large scale theatre
Specification level	professional range
Beam angle	10° - 70°
Typical throw distance	3-20m

Electrical specifications

Supply volts	230/240V AC single phase
Max. lamp Watts	2500W
Lamp-base	G22 standard, GY16 on request
Auto-disconnect	double-pole microswitch
Cable/connection	1.5m, 3 x 2.5mm ² flexible cable to bare ends
Standard compliance	EN60598-2-17, CE marked

Mechanical specifications

Paint finish	black epoxy power paint
Lamp house construction	extruded aluminium and sheet steel
Reflector	87mm, diameter glass
Lens	Ø200mm pebble convex
Mounting & Suspension	steel stirrup with 12 mm centre hole and DIN mounting. Stirrup rotates 360° around the body of the luminaire
Rear handle	yes
Weight/ packed weight	9.0 kg / 11.6 kg
packed volume	0.10 m ³
Filter cut size	245x 245mm
Accessory runners	3 slots
Safety guards	included
Colour frame	metal, 245x245mm, supplied
Lamp access	hinged base
Lens access	front and via lamp access

Operational specifications

Focus adjustment	screw focus with front and rear control
Working position	max. tilting ±90° from horizontal
Beam Shaping	using barndoor accessory
Positional	single rim-clamp tilt lock

Lamp type

2000W G22	CP55/ CP75 3200K 480ore, CP92 3200K 400ore
2000W GY16	CP72 3200K 480 hrs
2500W G22	CP91 3200K 400 hrs

LDR recommends Philips lamps

Accessories

Spare metal colour frame	20100107
Spare safety guard	20100207 safety bond 20101207
4-leaf barndoor	20100307
Hock clamp	20101000 Alu-grip clamp 20101100
Colour scroller Xpress 26	20106026 with mounting plate 20600007

Photometric Data

Spot focus	CP75									
	1.9	2.0	2.2	2.4	2.5	2.7	2.8	3.0	3.1	m
BeamØ	1.9	2.0	2.2	2.4	2.5	2.7	2.8	3.0	3.1	m
lux	1563	1331	1148	1000	879	779	694	623	563	
Distance	12	13	14	15	16	17	18	19	20	m

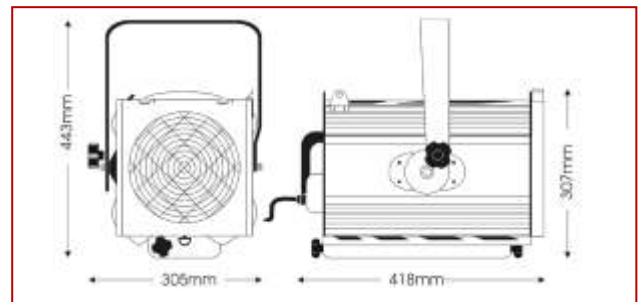
Flood focus											
	4.2	5.6	7.0	8.4	9.8	11.2	12.6	14.0	15.4	m	
BeamØ	4.2	5.6	7.0	8.4	9.8	11.2	12.6	14.0	15.4	m	
lux	2200	1238	792	550	404	309	244	198	164		
Distance	3	4	5	6	7	8	9	10	11	m	

LUCI DELLA RIBALTA PROFESSIONAL LIGHTING PRODUCTS

TONO[®] F2000 plus

2000 - 2500W fresnel

part number: 10901000

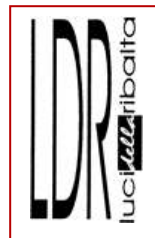


Compact, lightweight and multi-featured 2/2.5KW pc spotlight for larger venues.

It features an extremely wide beam angle and includes a front hinging lamp tray, a robust G22 lamp-base, screw focus, strong tilt lock and double-microswitch interlock for safe lamp replacement.

A colour frame, safety guard and 1.5m mains cable are included as standard.

On request also available with GY16 lamp-base



Distributed by:
AMLUX s.r.l.
Via Belgio, 11/13
46042 Castel Goffredo (MN), Italy
www.amlux.it info@amlux.it