

### Application

|                        |                                  |
|------------------------|----------------------------------|
| Beam style             | variable-spread, soft-edged beam |
| Suitable for           | medium to large scale theatre    |
| Specification level    | economy range                    |
| Beam angle             | 10° - 56°                        |
| Typical throw distance | 2 - 15m                          |

### Electrical specifications

|                      |  |
|----------------------|--|
| Supply Volts         | 230/240V AC single phase                                 |
| Max. Lamp Watts      | 1200W  |
| Lamp base            | GX9.5  |
| Auto-disconnect      | no   |
| Cable/connection     | 1.5m, 3 x 1.5mm <sup>2</sup> flexible cable to bare ends |
| Standards Compliance | EN60598-2-17, CE marked                                  |

### Mechanical specifications

|                         |   |
|-------------------------|---|
| Paint/Finish            | black, white or silver epoxy powder paint   |
| Lamp House Construction | extruded aluminium and sheet steel  |
| Reflector               | 100mm diameter aluminium  |
| Lens                    | 150mm diameter Fresnel  |
| Mounting & suspension   | steel stirrup with 12mm centre hole and DIN mounting. Stirrup rotates 360° around the body of the luminaire |
| Rear handle             | yes   |
| Weight/Packed weight    | 5.6kg / 7.0kg   |
| Packed volume           | 0.05m <sup>3</sup>  |
| Filter cut size         | 185 x 185mm   |
| Accessory runners       | 3 slots   |
| Safety guard            | included  |
| Colour frame            | metal, 185x185mm, supplied  |
| Lamp access             | sliding top cover   |
| Lens access             | front and via lamp access   |

### Operational specifications

|                       |                                     |
|-----------------------|-------------------------------------|
| Focus adjustment      | slide focus with control underneath |
| Working position      | max. tilting ±90° from horizontal   |
| Beam Shaping          | using barndoor accessory            |
| Positional adjustment | single rim-clamp tilt lock          |

### Lamp types

|                |  |
|----------------|--|
| 650W 230V      | CP67 3200K 120 hrs / T21 3000K 900 hrs |
| 1000W 230V     | CP70 3200K 240 hrs / T19 3050K 900 hrs |
| 1200W 230V     | CP90 3200K 240 hrs / T29 3000K 480 hrs |
| 1000W 115/120V | T11 3050K 750 hrs GE88515              |

LDR recommends Philips lamps

### Accessories

|                            |  |
|----------------------------|--|
| Spare metal colour frame   | ■20100106 □20100106B ■20100106C                            |
| Spare safety guard         | ■20100206 □20100206B ■20100206C                            |
| 4-leaf barndoor, aluminium | ■20100306 □20100306B ■20100306C<br>□■20100306D ■■20100306E |
| Hook clamp                 | 20100900   |
| Safety bond                | 20101300   |
| Colour scroller Xpress 19  | 20106019 with mounting plate 20600006                      |

### Photometric data

| Spot focus | CP90 |      |      |      |      |     |     |     |     |   |
|------------|------|------|------|------|------|-----|-----|-----|-----|---|
| Beam dia.  | 1.2  | 1.4  | 1.6  | 1.7  | 1.9  | 2.1 | 2.3 | 2.4 | 2.6 | m |
| lux        | 2612 | 2000 | 1580 | 1280 | 1058 | 889 | 757 | 653 | 569 |   |
| Distance   | 7    | 8    | 9    | 10   | 11   | 12  | 13  | 14  | 15  | m |

| Flood focus |      |      |     |     |     |     |     |     |      |   |
|-------------|------|------|-----|-----|-----|-----|-----|-----|------|---|
| Beam dia.   | 2.1  | 3.2  | 4.3 | 5.3 | 6.4 | 7.4 | 8.5 | 9.6 | 10.6 | m |
| lux         | 3200 | 1422 | 800 | 512 | 356 | 261 | 200 | 158 | 128  |   |
| Distance    | 2    | 3    | 4   | 5   | 6   | 7   | 8   | 9   | 10   | m |

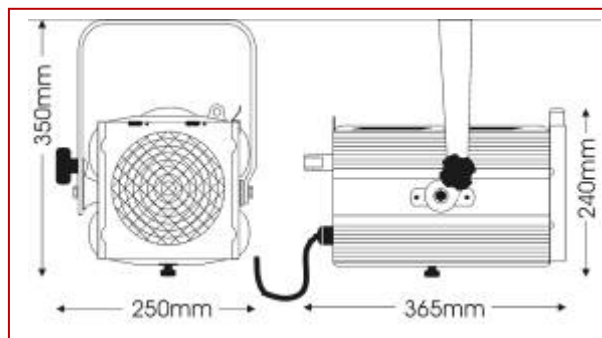
LUCI DELLA RIBALTA PROFESSIONAL LIGHTING PRODUCTS

# aria<sup>®</sup> f1000 plus

## 650W – 1200W

### fresnel

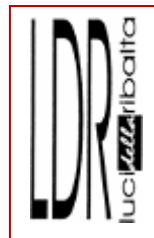
part number : ■10801000 □10801001 ■10801002



Quality, yet budget-priced, versatile 650W-1200W fresnel spotlight producing a variable-spread soft-edged beam.

It is ideal for general stage lighting illumination in medium-sized venues and is supplied with a colour frame, safety guard and 1.5m mains cable.

A full range of accessories in different colours is available as optional extra



Distribuito da:  
Amlux srl  
Via Belgio 11/12  
46042 Castel Goffredo (MN), Italy  
tel/fax: +39 0376 781094  
www.amlux.it info@amlux.it

Issue: ap ©2014. LDR reserves the right to alter the specification without prior notice.