

## Applications

Beam style	variable-spread, soft-edged beam
Suitable for	theatre, clubs, small stage areas
Specification level	economy range
Beam angle	7° - 60°
Typical throw distance	2-10

## Electrical specifications

Supply volts	230/240V AC single phase
Max. lamp Watts	650W
Lamp-base	GY9.5
Auto-disconnect	no
Cable/connection	1.5m, black flexible cable 3 x 1.5mm <sup>2</sup>
Standard compliance	EN60598-2-17, CE marked

## Mechanical specifications

Paint finish	black epoxy powder paint
Lamp house construction	extruded alluminium and sheet steel
Reflector	ø55mm, glass
Lens	fresnel, ø120mm
Mounting & Sospension	steel stirrup with 12 mm centre hole and DIN mounting. Stirrup rotates 360° around the body of the luminaire
Rear handle	posterior
Weight/ packed weight	4 kg / 4,6 kg
packed volume	0.021m <sup>3</sup>
Filter cut size	150 x 150mm
Accessory runners	3slots
Safety guards	included
Colour frame	metal, 150x150mm, supplied
Lamp access	sliding top cover
Lens access	front and via lamp access

## Operational specifications

Focus adjustment	slide focus with control underneath
Working position	max. tilting ±90° from horizontal
Sagomatura del fascio	using barndoor accessory
Posizionamento	single rim-clamp tilt lock

## Lamp types

300W	M38 2950K 2000 hrs
500W	T18 3000K 360 hrs / T25 3000K 360 hrs / M40 2950K 2.000 hrs
650W	T26 3050K 600 hrs / T27 3050K 600 hrs

LDR recommends Philips lamps

## Accessories

Spare metal colour frame	■20100103 □20100103B ■20100103C
Spare safety guard	■20100203 □20100203B ■20100203C
4-leaf barndoor	■20100303 □20100303B ■20100303C □■20100303D ■■20100303E
Hock clamp	20100900 Alu-grip clamp 20101100
Safety band	20101200
Colour scroller Xpress 13	20106013 with mounting plate 20600003

## Photometric Data

spot focus	T27									
BeamØ	0.2	0.4	0.5	0.6	0.7	0.9	1.0	1.1	1.2m	
lux	16600	7378	4150	2656	1844	1355	1038	820	664	
Distance	2	3	4	5	6	7	8	9	10m	

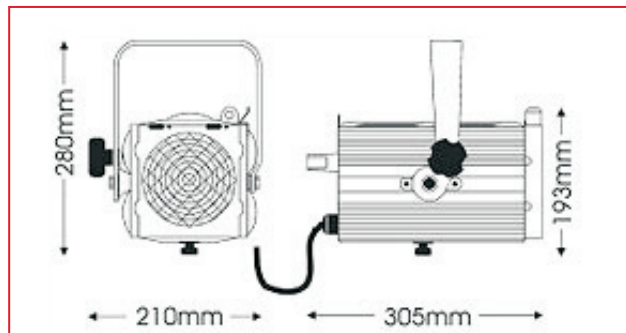
Flood focus										
BeamØ	2.3	3.5	4.6	5.8	6.9	8.1	9.2	10.4	11.5m	
lux	3096	1376	774	495	344	253	194	153	124	
Distance	2	3	4	5	6	7	8	9	10m	

LUCI DELLA RIBALTA PROFESSIONAL LIGHTING PRODUCTS

# TEMPO® F650 plus

## 650W fresnel

code: ■ 10601000 □ 10601001 ■ 10601002



Quality yet budget-priced 500W or 650W Fresnel spotlight. It features a slide-focus variable-spread, soft edged beam which makes it ideal for small, intimate stage areas.

also included as standard are a DIN standard colour frame, safety guard and 1.5m mains cable

Available to special order in any colour from the RAL range.



Distributed by:  
**AMLUX s.r.l.**  
Via Belgio, 11/13  
46042 Castel Goffredo (MN), Italy  
[www.amlux.it](http://www.amlux.it) [info@amlux.it](mailto:info@amlux.it)