

MULTIPAR CDM-T 150W



CODE: **PP#000000301** MULTIPAR CDM-T 150W - BLACK
CODE: **PP#000000801** MULTIPAR CDM-T 150W - GREY
CODE: **PP#000000302** MULTIPAR CDM-T 150 W ELETRONIC BALLAST - BLACK
CODE: **PP#000000802** MULTIPAR CDM-T 150 W ELETRONIC BALLAST - GREY

Technical Data:

- AC: 220/240v 50/60Hz
- Dimension: 28x24x41 cm
- Weight: 7 Kg (CDM-T 150W version) and 4,7 Kg (CDM-T 150W electronic ballast version)
- Lampholder: G12
- Lamp: CDM-T/ HCI-T 150W
- Fuse: 2 A



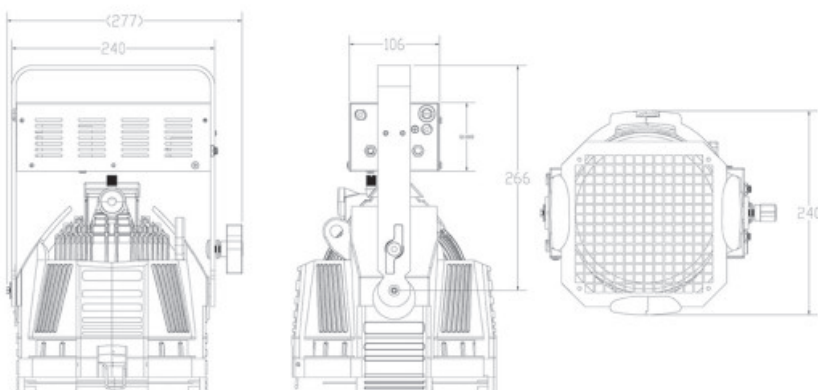
Accessories:

- **PU#452001** Barndoor 4 leaf black
- **PU#452002** Barndoor 4 leaf grey
- **PG#900301** Colorframe black
- **PG#900201** Colorframe grey

Reccomanded Lamps:

- CODE: **LA#21100033201** CDM-T 150/830 PHILIPS 150W G12 3000°K 9000 hours
- CODE: **LA#21115032504** CDM-T 150/942 PHILIPS 150W G12 4200°K 9000 hours
- CODE: **LA#21100033503** CDM-SA/T 150/942 PHILIPS 150W G12 4200°K 6000 hours

Dimensions



MULTIPAR CDM-T 150W



CODE: **PP#000000301** MULTIPAR CDM-T 150W - BLACK
 CODE: **PP#000000801** MULTIPAR CDM-T 150W - GREY
 CODE: **PP#000000302** MULTIPAR CDM-T 150 W ELETRONIC BALLAST - BLACK
 CODE: **PP#000000802** MULTIPAR CDM-T 150 W ELETRONIC BALLAST - GREY

Photometric Data

