



Your Partner for Light

Spare Part Catalogue

Edition August 2013

www.adblighting.com

fredo (MN), info@amlux.it, www.amlux.it

ADB

Lighting Technologies

Notes

- Prices are quoted in Euros, ex-works, Saint Quentin, France.
- Fuses are not listed and are no longer available from ADB.
- Printed circuit boards identified with a “*” must be repaired in our factory. A quotation will be submitted upon request.
- For standard replacements we will invoice the price of a new board and issue a credit note for the difference upon receipt of the defective one.
- Luminaire spare parts listed in this catalogue are identified in bold on the exploded views.
- ADB-TTV reserves the right to modify the prices at any time.

Distributed by **AMLUX srl, 46042, Castel Goffredo (MN), info@amlux.it, www.amlux.it**

Availability of Spare Parts for ADB Products

We confirm that spare parts for ADB manufactured products will be available for as long as the products are in production and for 10 years beyond the date of the last manufactured quantity, except however for printed boards and electronic components, for which our commitment is limited to 5 years.

In any case, where components from other manufacturers, used within our products, become obsolete, we will attempt to provide alternative spare parts, however we cannot guarantee such alternatives will be available.

Distributed by AMLUX srl, 46042, Castel Goffredo (MN), info@amlux.it, www.amlux.it

Index

| | |
|--|----|
| Notes | 1 |
| Availability of Spare Parts for ADB Products | 2 |
| Index | 3 |
| F 51 | 7 |
| C 51 | 9 |
| DW 54 | 11 |
| DS 51 | 13 |
| DS 54 | 15 |
| A56C | 17 |
| A57F..... | 19 |
| A 59Z..... | 21 |
| WARP 12/30..... | 23 |
| WARP 22/50..... | 25 |
| WARP/M/12-30 | 27 |
| WARP/M/22-50 | 29 |
| WARP/M/Yoke | 31 |
| WARP/DL/12-30..... | 33 |
| WARP/DL/22-50..... | 35 |
| WARP/M/DL/12-30/U/HQ..... | 37 |
| WARP/M/DL/22-50/U/HQ..... | 39 |
| WARP/M/DL/Yoke | 41 |

Distributed by AMLUX srl, 46042, Castel Goffredo (MN), info@amlux.it, www.amlux.it

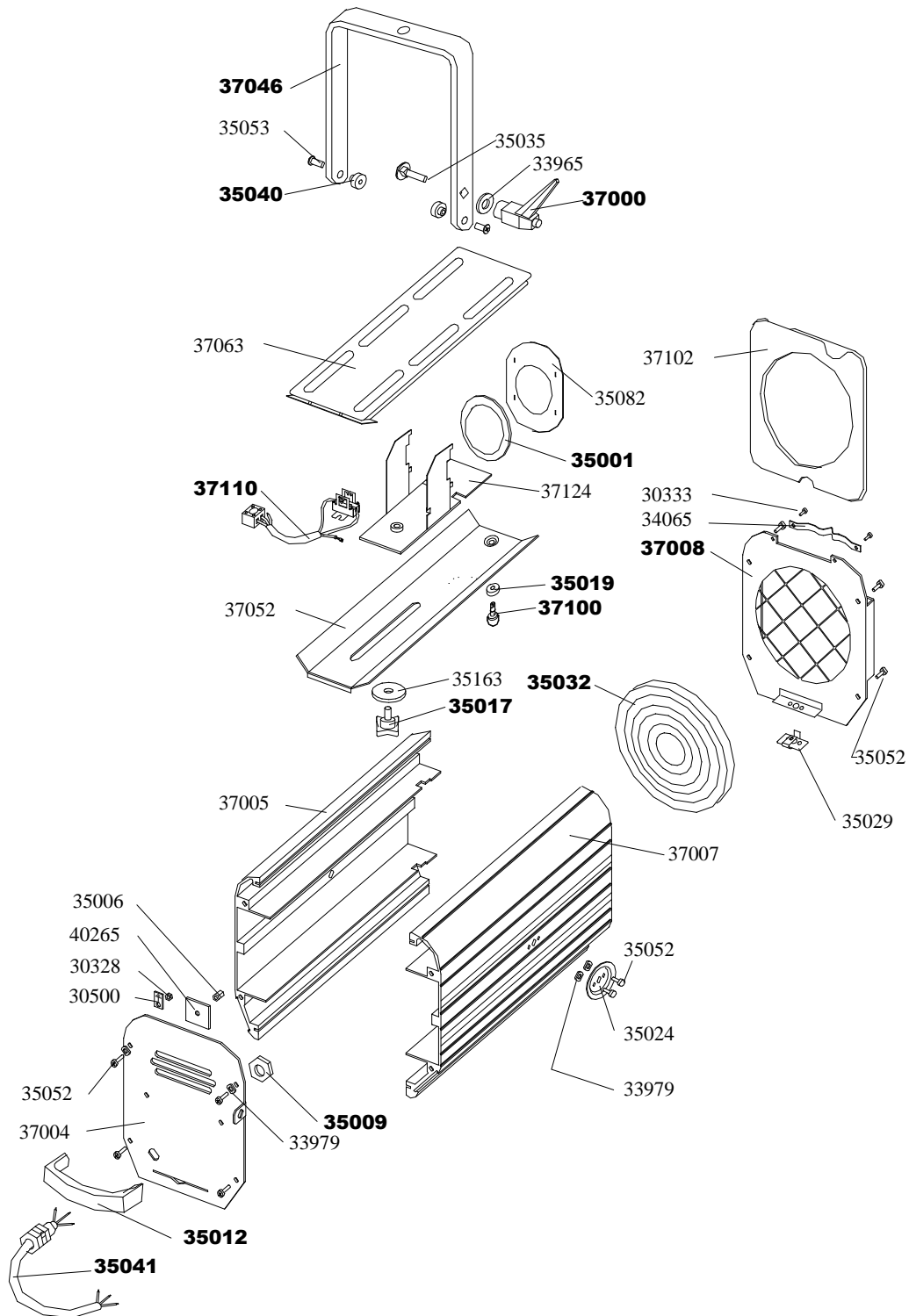
| | |
|---|-----------|
| C 101 / C103 | 43 |
| F101 | 45 |
| C201 / C203 | 47 |
| F 201 | 49 |
| Backpart common to 1 kW D/105 profiles | 51 |
| DS105 | 53 |
| DW105 | 55 |
| DN105 | 57 |
| DVW105 | 59 |
| DSN105 | 61 |
| Backpart common to 2 kW D/205 profiles | 63 |
| DS 205 | 65 |
| DVW 205 | 67 |
| DN 205 | 69 |
| ALC4 | 71 |
| ACP 1001 | 73 |
| ACV 1001 | 75 |
| LF 1000 | 77 |
| HF 1000 | 79 |
| HT 2251 | 81 |
| RAH 2502 | 83 |
| RAP 2502 | 85 |
| RAP 5001 | 87 |

Distributed by **AMLUX** srl, 46042, Castel Goffredo (MN), info@amlux.it, www.amlux.it

| | |
|---|-----|
| TV Fresnel 1 kW..... | 89 |
| TV Fresnel 2 kW..... | 91 |
| TV Fresnel 5 kW..... | 93 |
| SOFTLUX..... | 95 |
| MEMOPACK / MEMORACK..... | 101 |
| MICROPACK / MICRORACK..... | 103 |
| MIKAPACK 15..... | 104 |
| MIKAPACK 30..... | 105 |
| EURORACK 50..... | 106 |
| EURORACK 60..... | 107 |
| EURODIM Twin Tech..... | 108 |
| EURODIM 3..... | 109 |
| MENTOR..... | 110 |
| MENTOR/XT..... | 111 |
| MIKADO..... | 112 |
| DOMINO..... | 113 |
| SWING 6 / 12..... | 114 |
| BOLERO / TANGO..... | 115 |
| General Terms and Conditions of Sale..... | 116 |

Distributed by AMLUX srl, 46042, Castel Goffredo (MN), info@amlux.it, www.amlux.it

F 51



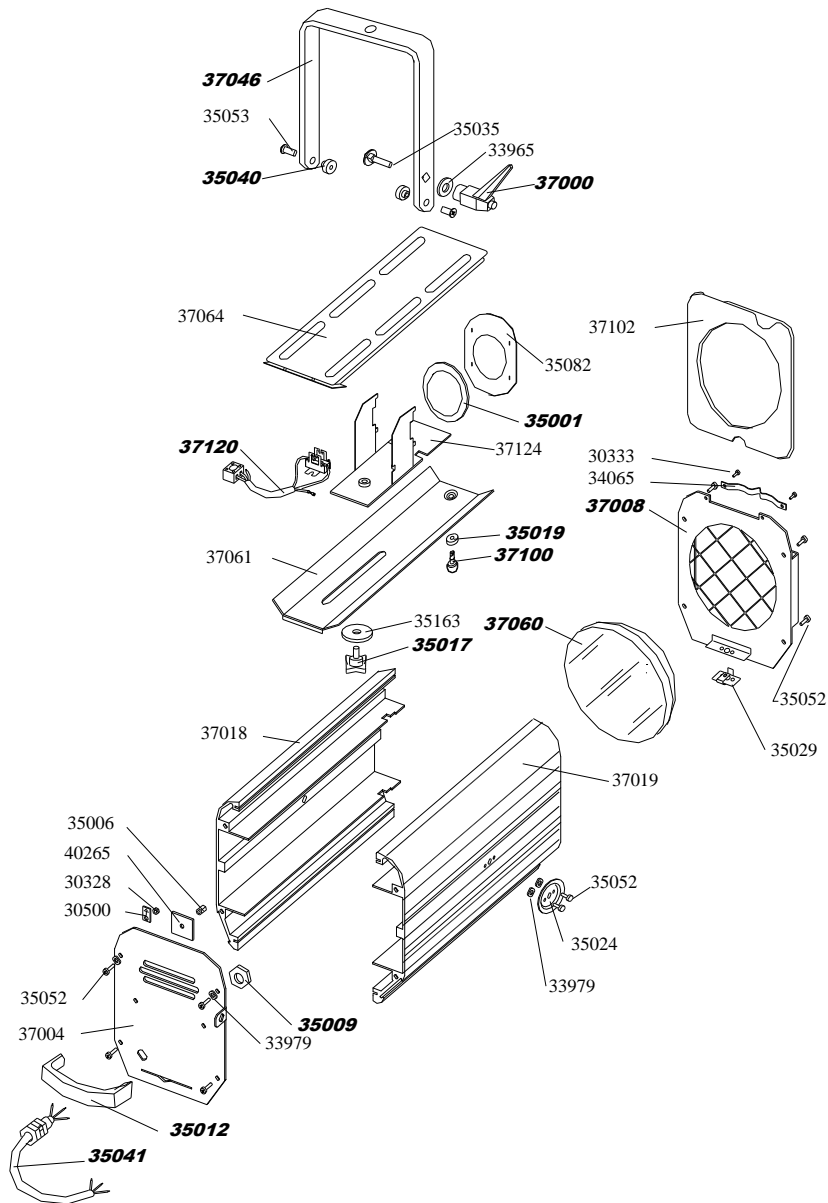
Distributed by AMLUX srl, 46042, Castel Goffredo (MN), info@amlux.it, www.amlux.it

F 51

| Code | Description | |
|-------|------------------------|--|
| 35001 | Aluminium reflector | |
| 35009 | Grommet nut | |
| 35012 | Grab handle | |
| 35017 | Focus knob | |
| 35019 | Black silicone washer | |
| 35032 | Fresnel lens Ø112 | |
| 35040 | Yoke spacer | |
| 35041 | 1 m cable without plug | |
| 37000 | Yoke handle | |
| 37008 | Front grid plate | |
| 37046 | Yoke | |
| 37100 | Quarter-turn latch | |
| 37110 | GY 9.5 lampholder kit | |

Distributed by AMLUX srl, 46042, Castel Goffredo (MN), info@amlux.it, www.amlux.it

C 51



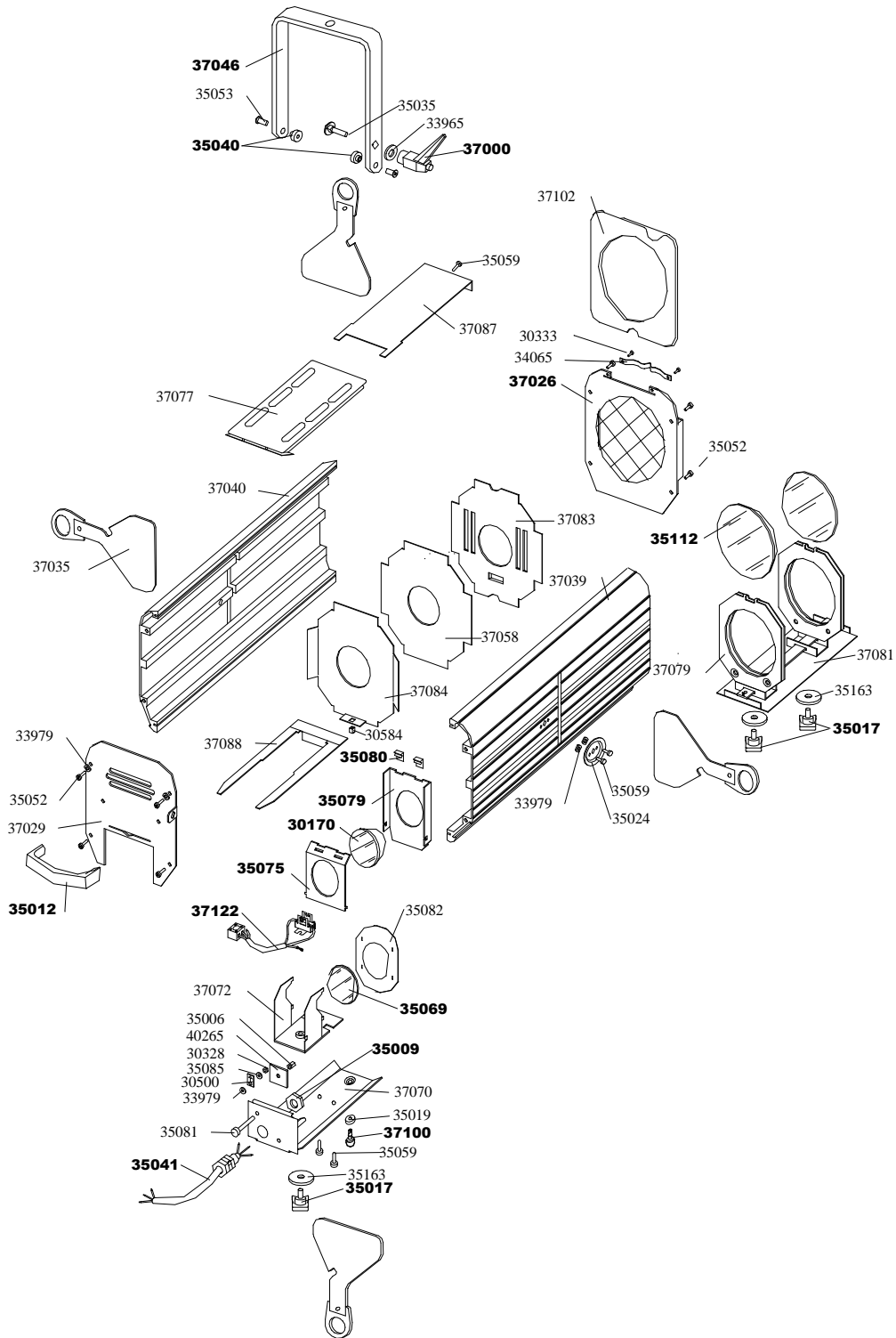
Distributed by AMLUX srl, 46042, Castel Goffredo (MN), info@amlux.it, www.amlux.it

C 51

| Code | Description | |
|-------|-------------------------|--|
| 35001 | Aluminium reflector | |
| 35009 | Grommet nut | |
| 35012 | Grab handle | |
| 35017 | Focus knob | |
| 35019 | Black silicone washer | |
| 35040 | Yoke spacer | |
| 35041 | 1 m cable without plug | |
| 37000 | Yoke handle | |
| 37008 | Front grid plate | |
| 37046 | Yoke | |
| 37060 | Pebble-convex lens Ø112 | |
| 37100 | Quarter-turn latch | |
| 37120 | GY 9.5 lampholder kit | |

Distributed by AMLUX srl, 46042, Castel Goffredo (MN), info@amlux.it, www.amlux.it

DW 54



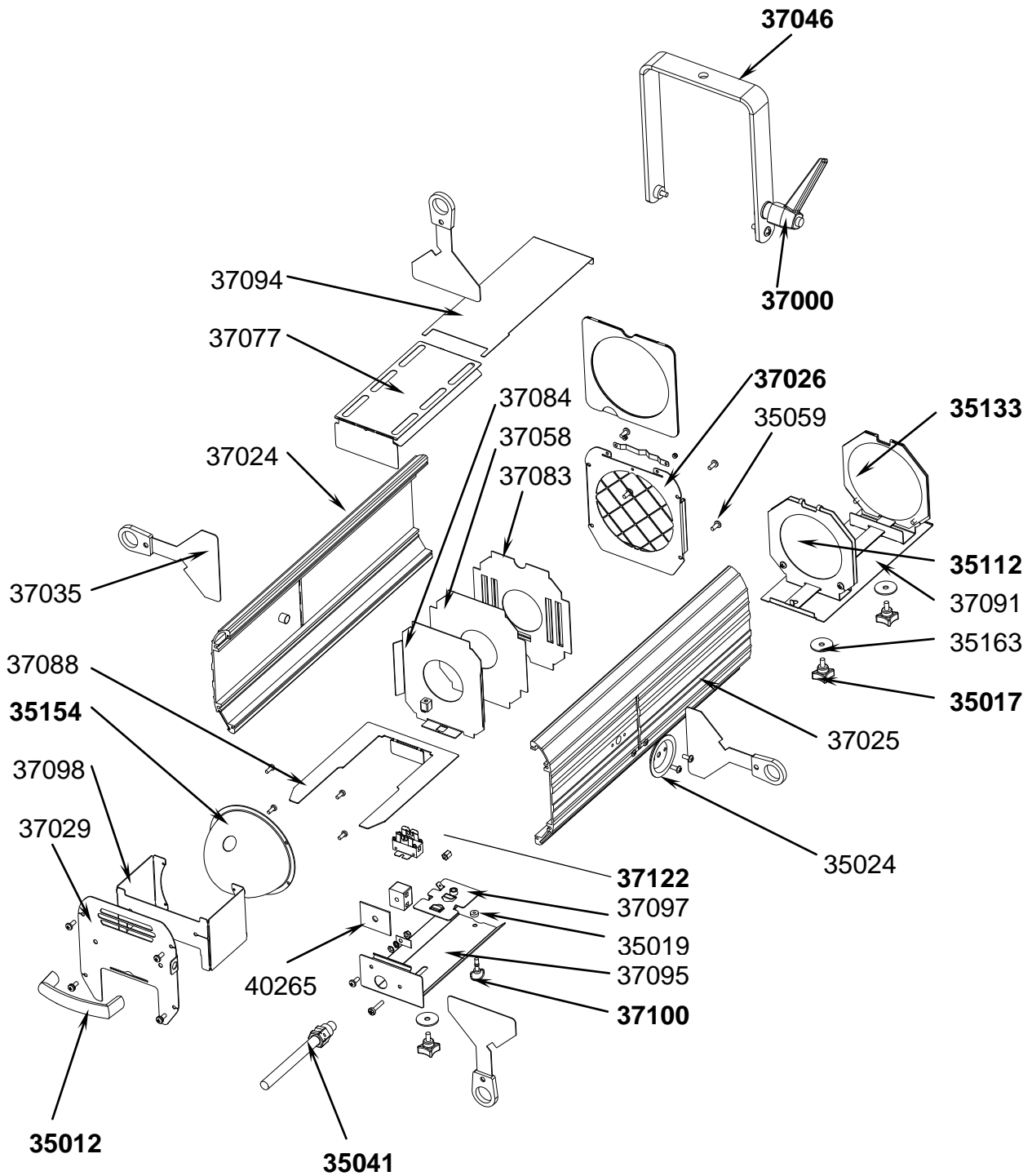
Distributed by AMLUX srl, 46042, Castel Goffredo (MN), info@amlux.it, www.amlux.it

DW 54

| Code | Description | |
|-------------|--------------------------------|--|
| 30170 | Condenser lens Ø 60 | |
| 35009 | Grommet nut | |
| 35012 | Grab handle | |
| 35017 | Focus knob | |
| 35040 | Yoke spacer | |
| 35041 | 1 m cable without plug | |
| 35069 | Glass reflector | |
| 35075 | Backlens holder | |
| 35079 | Frontlens holder | |
| 35080 | Lens spring | |
| 35112 | Zoom PC lens Ø88.9 / RC62 | |
| 37000 | Yoke handle | |
| 37026 | Front grid plate | |
| 37046 | Yoke | |
| 37100 | Quarter-turn latch | |
| 37122 | GY9.5 lampholder kit | |
| 1000.37.020 | Set of 4 beam shaping shutters | |

Distributed by AMLUX srl, 46042, Castel Goffredo (MN), info@amlux.it, www.amlux.it

DS 51



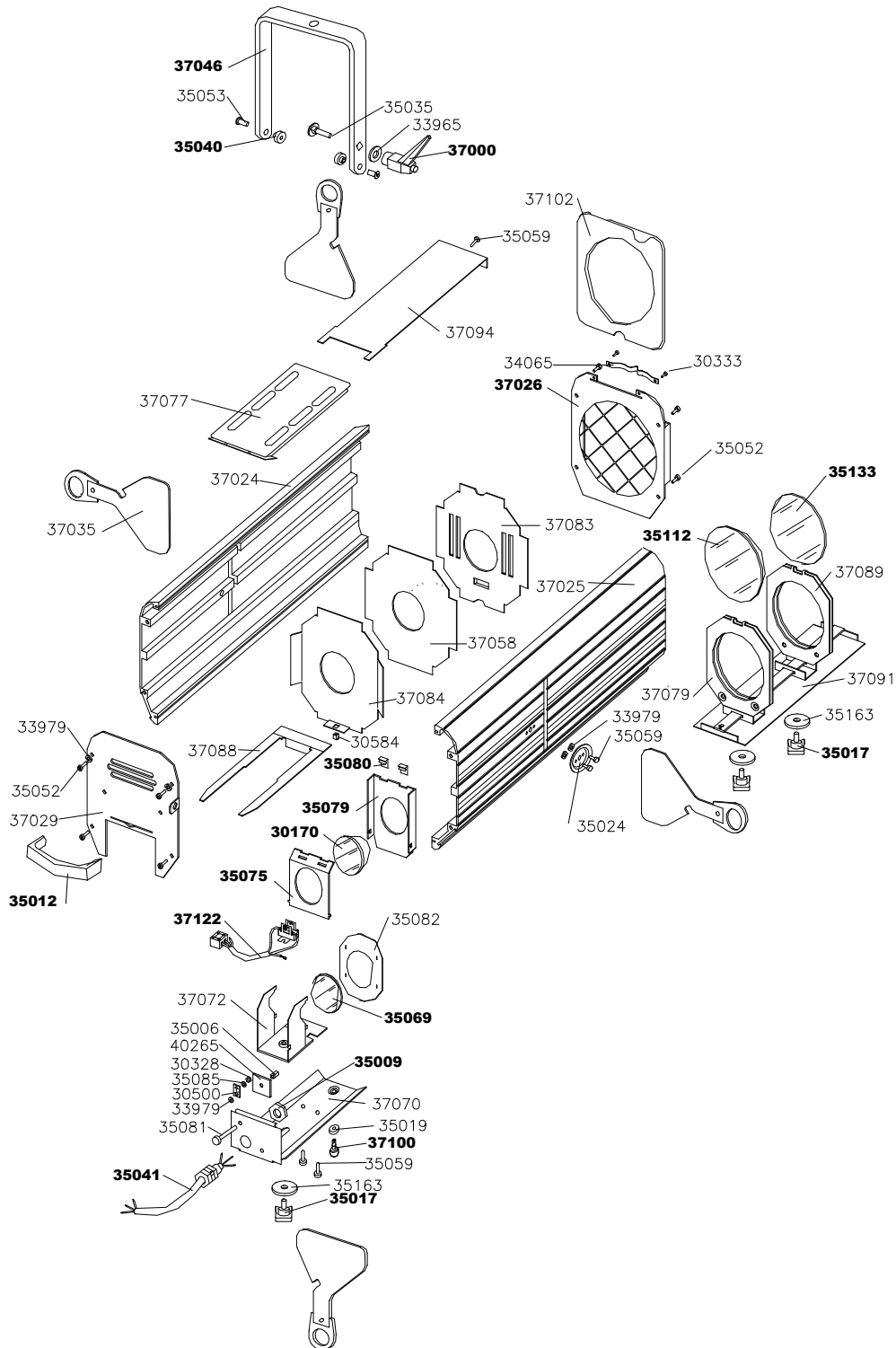
Distributed by AMLUX srl, 46042, Castel Goffredo (MN), info@amlux.it, www.amlux.it

DS 51

| Code | Description | |
|-------------|--------------------------------|--|
| 35012 | Grab handle | |
| 35017 | Focus knob | |
| 35040 | Yoke spacer | |
| 35041 | 1 m cable without plug | |
| 35112 | Zoom PC lens Ø88.9 / RC62 | |
| 35133 | Zoom PC lens Ø100 / RC95 | |
| 35154 | Aluminium reflector | |
| 37000 | Yoke handle | |
| 37026 | Front grid plate | |
| 37046 | Yoke | |
| 37100 | Quarter-turn latch | |
| 37122 | GY9.5 lampholder kit | |
| 1000.37.020 | Set of 4 beam shaping shutters | |

Distributed by AMLUX srl, 46042, Castel Goffredo (MN), info@amlux.it, www.amlux.it

DS 54



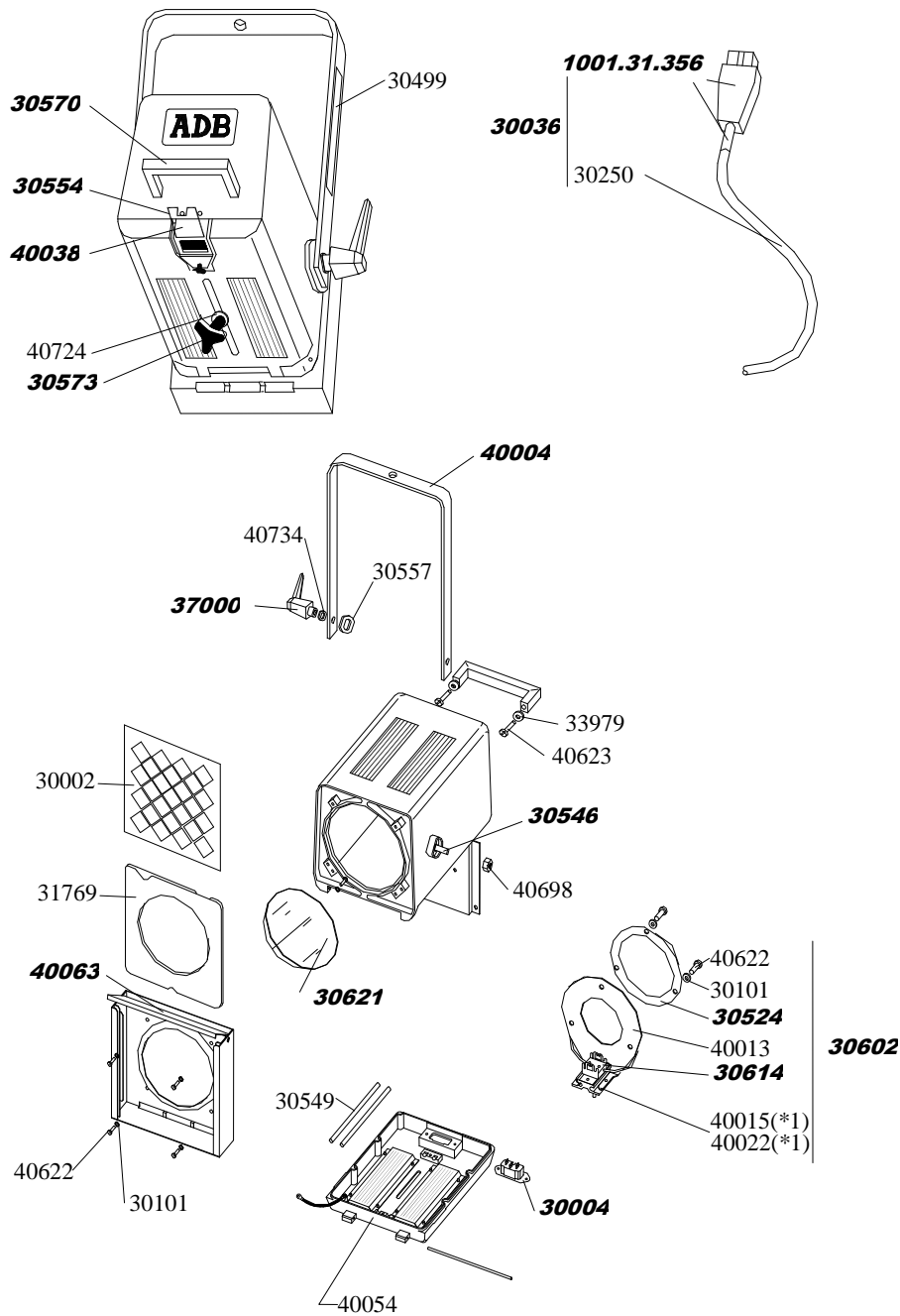
Distributed by AMLUX srl, 46042, Castel Goffredo (MN), info@amlux.it, www.amlux.it

DS 54

| Code | Description | |
|-------------|--------------------------------|--|
| 30170 | Condenser lens Ø 60 | |
| 35009 | Grommet nut | |
| 35012 | Grab handle | |
| 35017 | Focus knob | |
| 35040 | Yoke spacer | |
| 35041 | 1 m cable without plug | |
| 35069 | Glass reflector | |
| 35075 | Backlens holder | |
| 35079 | Frontlens holder | |
| 35080 | Lens spring | |
| 35112 | Zoom PC lens Ø88.9 / RC62 | |
| 35133 | Zoom PC lens Ø100 / RC95 | |
| 37000 | Yoke handle | |
| 37026 | Front grid plate | |
| 37046 | Yoke | |
| 37100 | Quarter-turn latch | |
| 37122 | GY9.5 lampholder kit | |
| 1000.37.020 | Set of 4 beam shaping shutters | |

Distributed by AMLUX srl, 46042, Castel Goffredo (MN), info@amlux.it, www.amlux.it

A56C



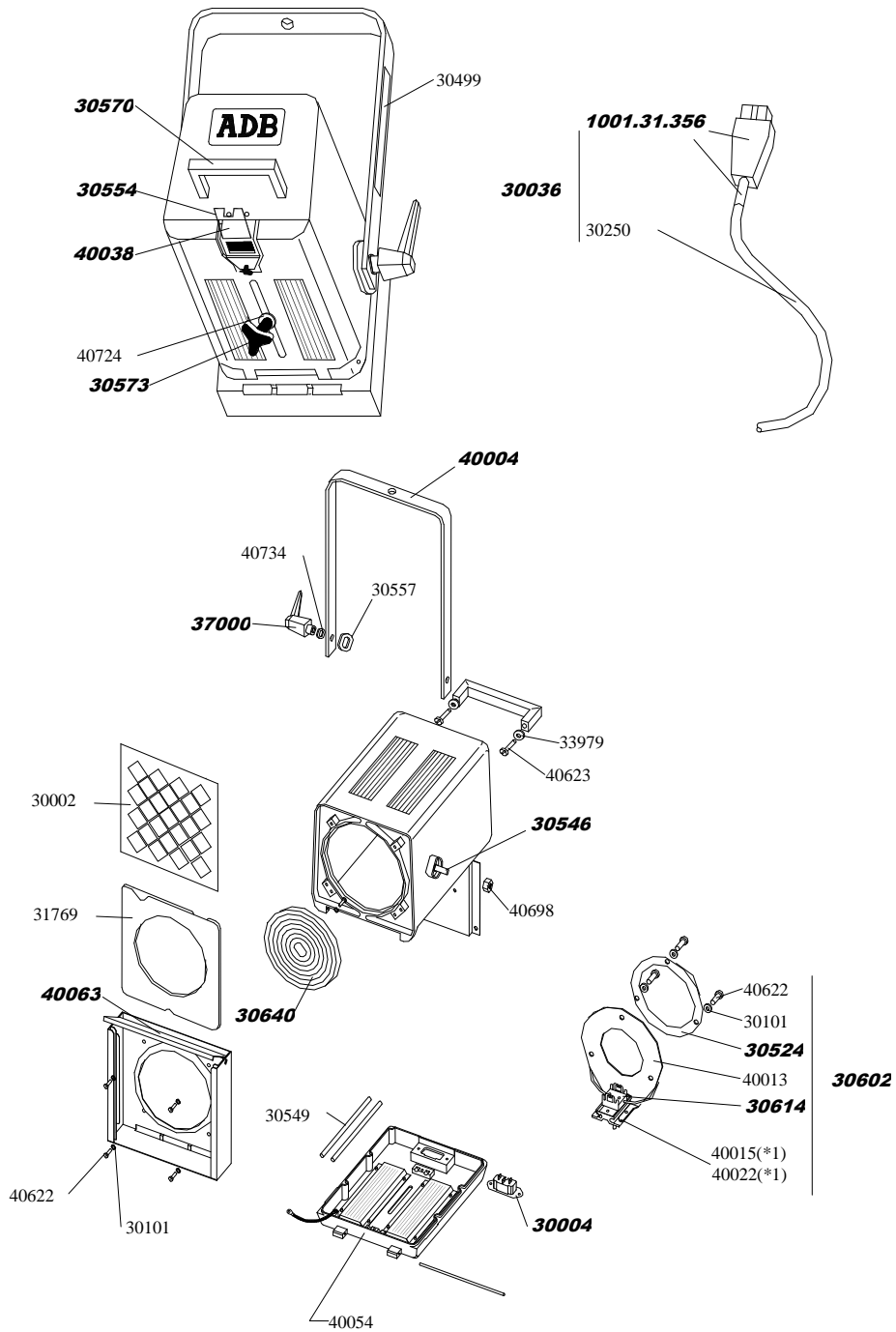
Distributed by AMLUX srl, 46042, Castel Goffredo (MN), info@amlux.it, www.amlux.it

A56C

| Code | Description | |
|-------------|------------------------------------|--|
| 30004 | Fixed male connector | |
| 30036 | 2m cable w/ CEE22 socket & no plug | |
| 30524 | Aluminium reflector | |
| 30546 | Yoke pivot | |
| 30554 | Plug stop | |
| 30570 | Grab handle | |
| 30573 | Focus knob | |
| 30602 | Reflector holder kit | |
| 30614 | GY 9.5 lampholder kit | |
| 30621 | Pebble-convex lens Ø 120 | |
| 37000 | Yoke handle | |
| 40004 | Yoke | |
| 40038 | Hinge | |
| 40063 | Front cassette subassembly | |
| 1001.31.356 | CEE 22 socket kit | |

Distributed by AMLUX srl, 46042, Castel Goffredo (MN), info@amlux.it, www.amlux.it

A57F



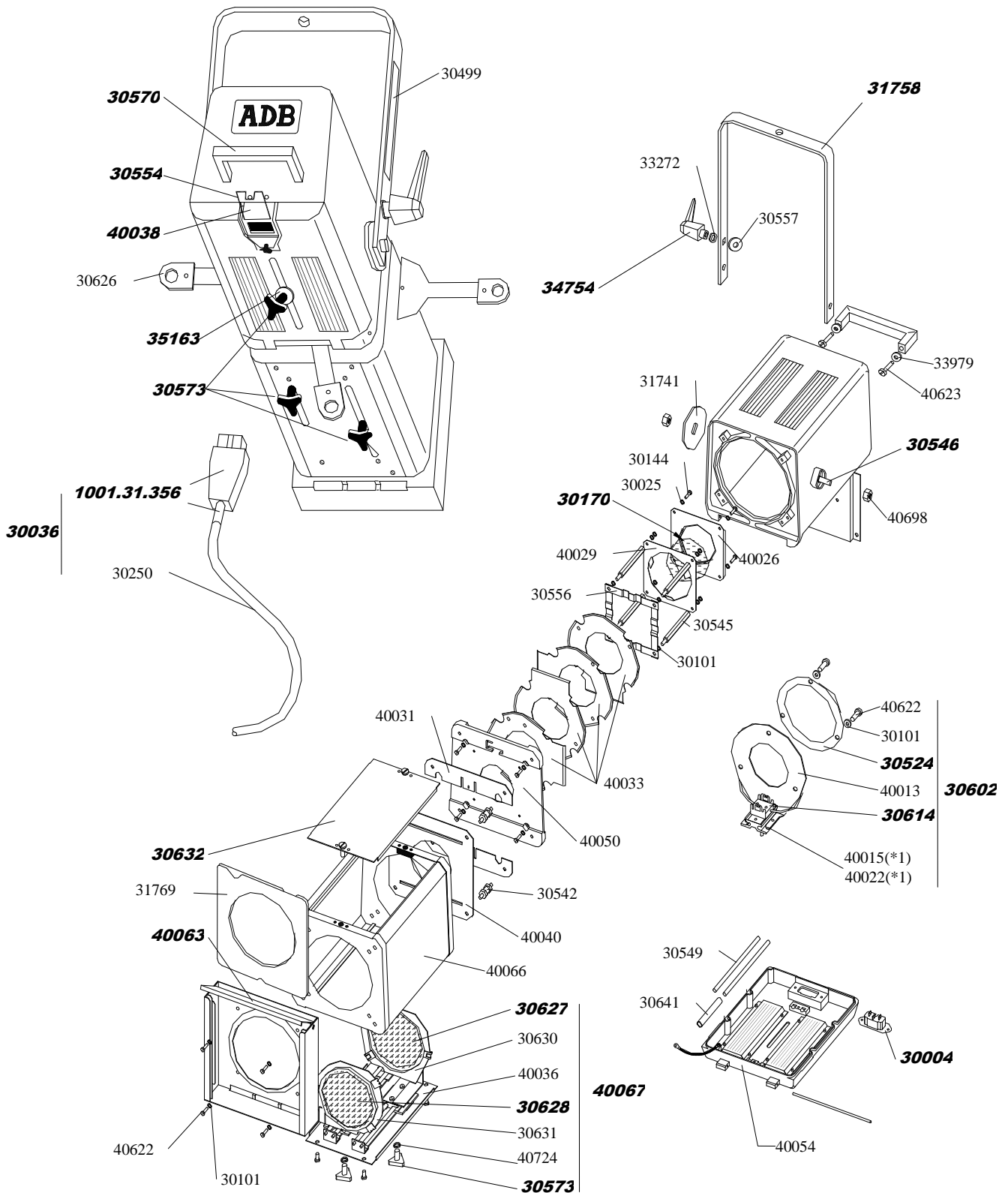
Distributed by AMLUX srl, 46042, Castel Goffredo (MN), info@amlux.it, www.amlux.it

A57F

| Code | Description | |
|-------------|------------------------------------|--|
| 30004 | Fixed male connector | |
| 30036 | 2m cable w/ CEE22 socket & no plug | |
| 30524 | Aluminium reflector | |
| 30546 | Yoke pivot | |
| 30554 | Plug stop | |
| 30570 | Grab handle | |
| 30573 | Focus knob | |
| 30602 | Reflector holder kit | |
| 30614 | GY 9.5 lampholder kit | |
| 30640 | Fresnel lens Ø120 / F80 | |
| 37000 | Yoke handle | |
| 40004 | Yoke | |
| 40038 | Hinge | |
| 40063 | Front cassette subassembly | |
| 1001.31.356 | CEE 22 socket kit | |

Distributed by AMLUX srl, 46042, Castel Goffredo (MN), info@amlux.it, www.amlux.it

A 59Z



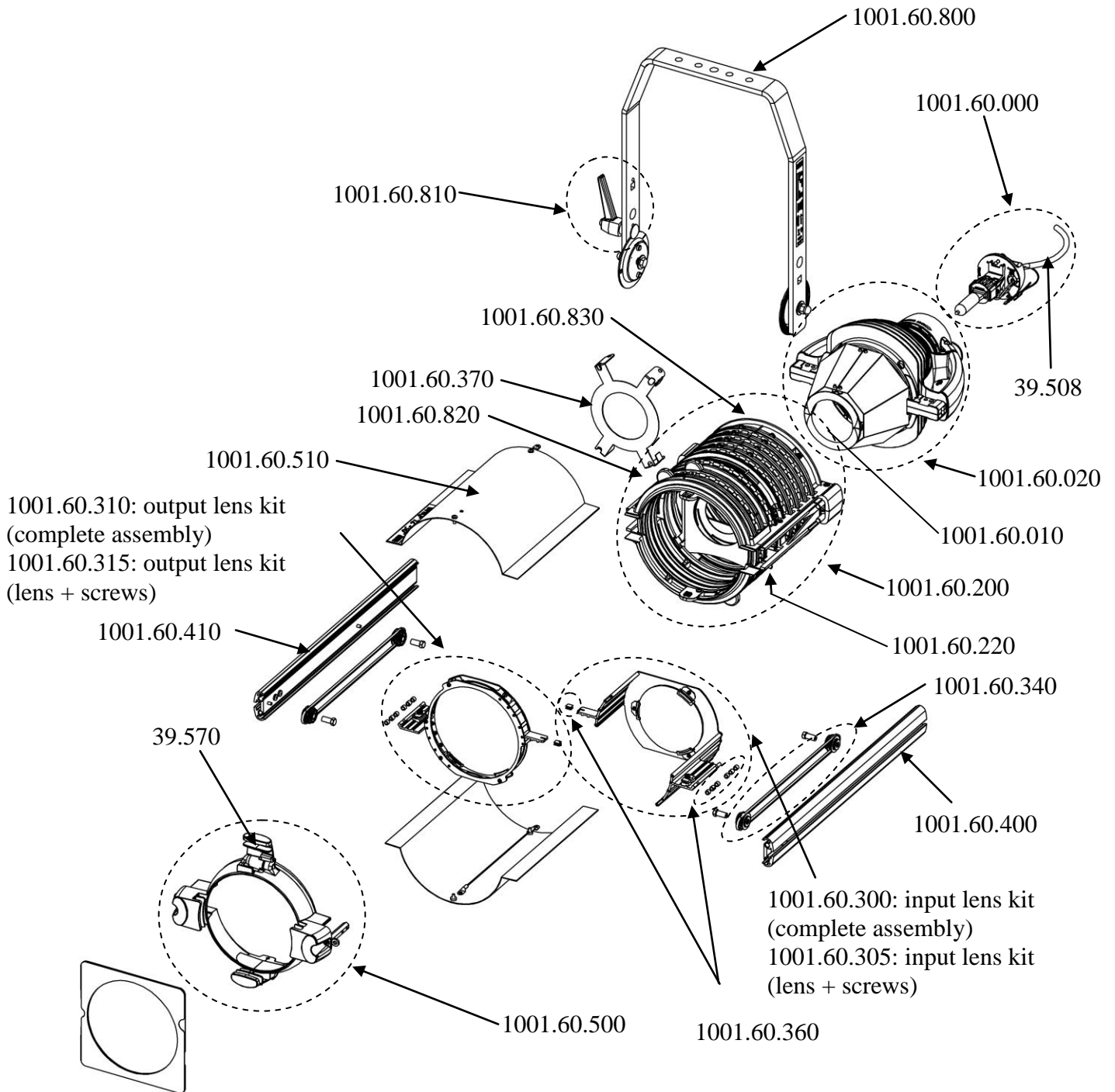
Distributed by AMLUX srl, 46042, Castel Goffredo (MN), info@amlux.it, www.amlux.it

A 59Z

| Code | Description | |
|-------------|------------------------------------|--|
| 30004 | Fixed male connector | |
| 30036 | 2m cable w/ CEE22 socket & no plug | |
| 30170 | Condenser lens Ø 60 | |
| 30524 | Aluminium reflector | |
| 30546 | Yoke pivot | |
| 30554 | Plug stop | |
| 30570 | Grab handle | |
| 30573 | Focus knob | |
| 30574 | Red focus knob (on early versions) | |
| 30602 | Reflector holder kit | |
| 30614 | GY 9.5 lampholder kit | |
| 30627 | Entry PC lens Ø89 / RC70 | |
| 30628 | Output PC lens Ø89 / RC108 | |
| 30632 | Lens tube cover | |
| 31758 | Yoke | |
| 34754 | Clutch release handle | |
| 40038 | Hinge | |
| 40063 | Front cassette subassembly | |
| 40067 | Optical subassembly | |
| 1001.31.356 | CEE 22 socket kit | |
| 1000.37.015 | Set of 4 beam shaping shutters | |

Distributed by AMLUX srl, 46042, Castel Goffredo (MN), info@amlux.it, www.amlux.it

WARP 12/30



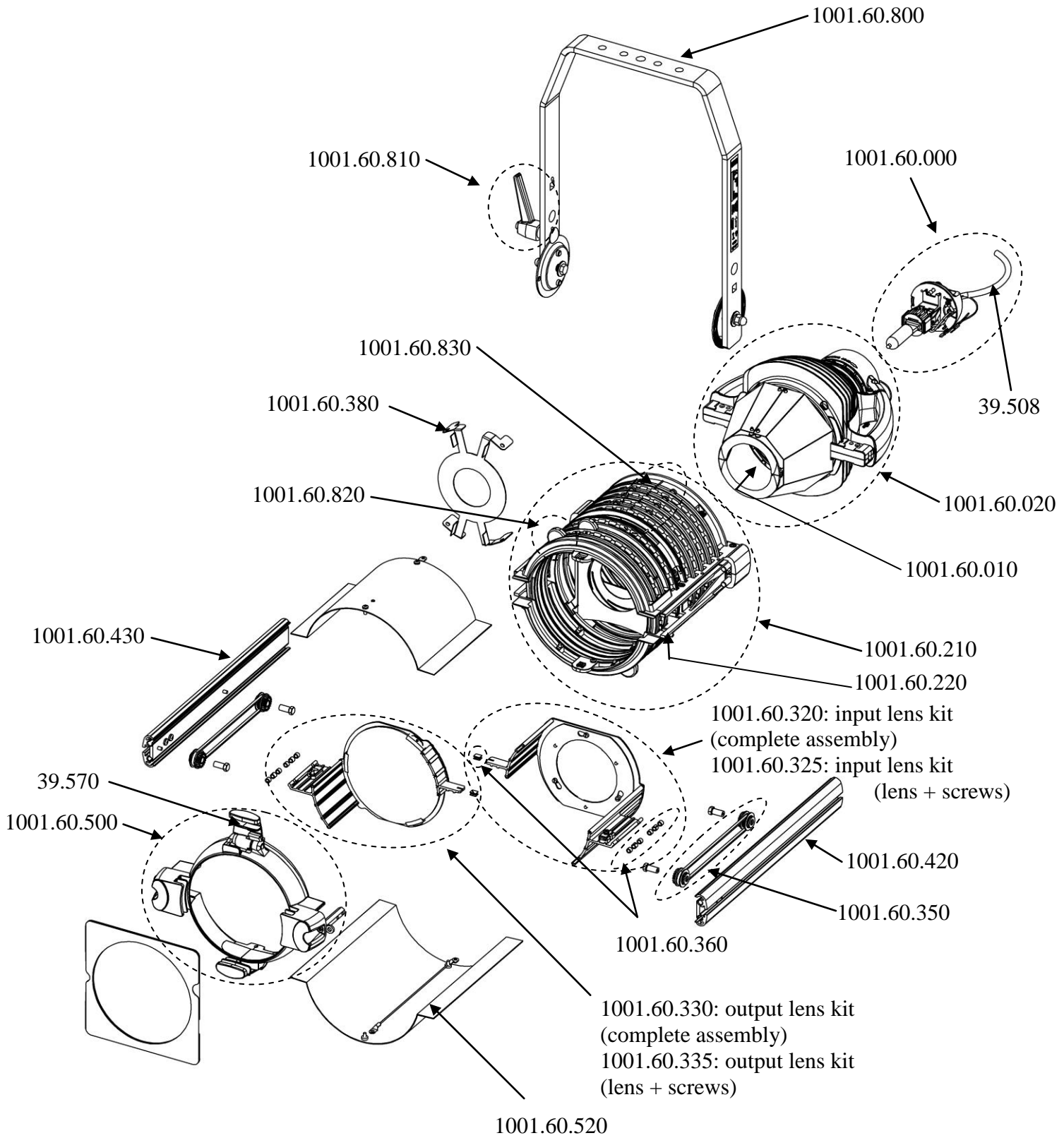
Distributed by AMLUX srl, 46042, Castel Goffredo (MN), info@amlux.it, www.amlux.it

WARP 12/30

| Code | Description | |
|-------------|--|--|
| 1001.60.000 | Lamp subassembly | |
| 1001.60.010 | Glass reflector | |
| 1001.60.020 | Lamphouse subassembly | |
| 1001.60.200 | Wheel & ring subassembly | |
| | Standard replacement | |
| 1001.60.220 | Friction adjustment screw kit | |
| 1001.60.300 | Input lens kit (complete assembly) | |
| 1001.60.305 | Input lens kit (lens + screws) | |
| 1001.60.310 | Output lens kit (complete assembly) | |
| 1001.60.315 | Output lens kit (lens + screws) | |
| 1001.60.340 | Driving belt kit | |
| 1001.60.360 | Teflon ring kit | |
| 1001.60.370 | Diaphragm | |
| 1001.60.400 | Sliding rail for input lens | |
| 1001.60.410 | Sliding rail for output lens | |
| 1001.60.500 | Front cassette | |
| 1001.60.510 | Lens tube cover | |
| 1001.60.800 | Yoke | |
| 1001.60.810 | Yoke handle | |
| 1001.60.820 | Lens ring control grip | |
| 1001.60.830 | Set of 8 shutter position finding lugs | |
| 39508 | G9.5 Lampholder kit with cable | |
| 39570 | Accessory holding clip | |

Note: For further details on WARP, please consult the Service Manual.

WARP 22/50



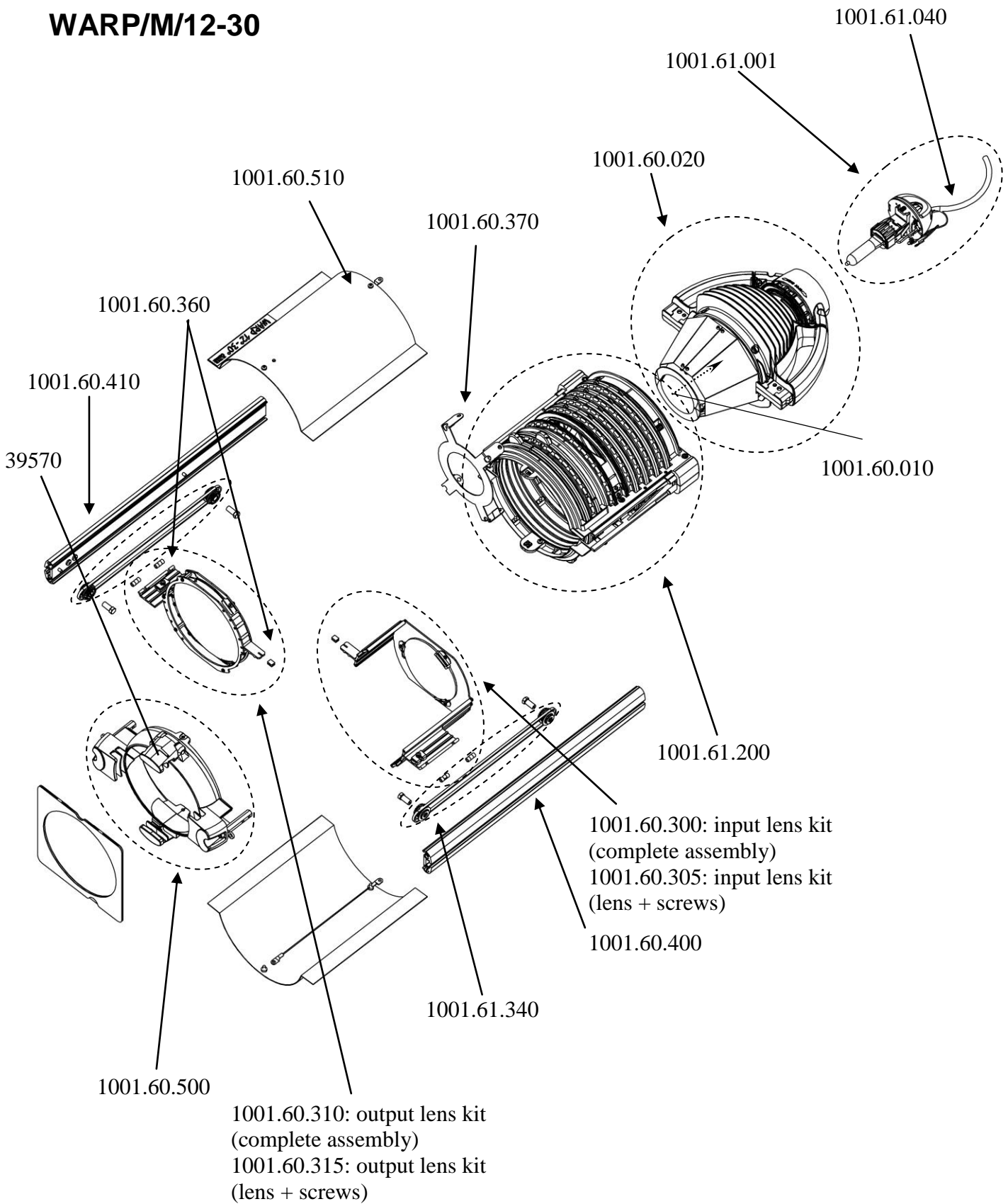
Distributed by AMLUX srl, 46042, Castel Goffredo (MN), info@amlux.it, www.amlux.it

WARP 22/50

| Code | Description | |
|-------------|--|--|
| 1001.60.000 | Lamp subassembly | |
| 1001.60.010 | Glass reflector | |
| 1001.60.020 | Lamphouse subassembly | |
| 1001.60.210 | Wheel & ring subassembly | |
| | Standard replacement | |
| 1001.60.220 | Friction adjustment screw kit | |
| 1001.60.320 | Input lens kit (complete assembly) | |
| 1001.60.325 | Input lens kit (lens + screws) | |
| 1001.60.330 | Output lens kit (complete assembly) | |
| 1001.60.335 | Output lens kit (lens + screws) | |
| 1001.60.350 | Driving belt kit | |
| 1001.60.360 | Teflon ring kit | |
| 1001.60.380 | Diaphragm | |
| 1001.60.420 | Sliding rail for input lens | |
| 1001.60.430 | Sliding rail for output lens | |
| 1001.60.500 | Front cassette | |
| 1001.60.520 | Lens tube cover | |
| 1001.60.800 | Yoke | |
| 1001.60.810 | Yoke handle | |
| 1001.60.820 | Lens ring control grip | |
| 1001.60.830 | Set of 8 shutter position finding lugs | |
| 39508 | G9.5 Lampholder kit with cable | |
| 39570 | Accessory holding clip | |

Note: For further details on WARP, please consult the Service Manual.

WARP/M/12-30



Distributed by AMLUX srl, 46042, Castel Goffredo (MN), info@amlux.it, www.amlux.it

WARP/M/12-30

| Code | Description | |
|-------------|-------------------------------------|--|
| 1001.60.300 | Input lens kit (complete assembly) | |
| 1001.60.305 | Input lens kit (lens + screws) | |
| 1001.60.310 | Output lens kit (complete assembly) | |
| 1001.60.315 | Output lens kit (lens + screws) | |
| 1001.60.370 | Diaphragm | |
| 1001.60.400 | Sliding rail for input lens | |
| 1001.60.410 | Sliding rail for output lens | |
| 1001.60.500 | Front cassette | |
| 1001.60.510 | Lens tube cover | |
| 1001.61.001 | Lamp subassembly | |
| 1001.61.040 | G9.5 lampholder kit with cable | |
| 39570 | Accessory holding clip | |

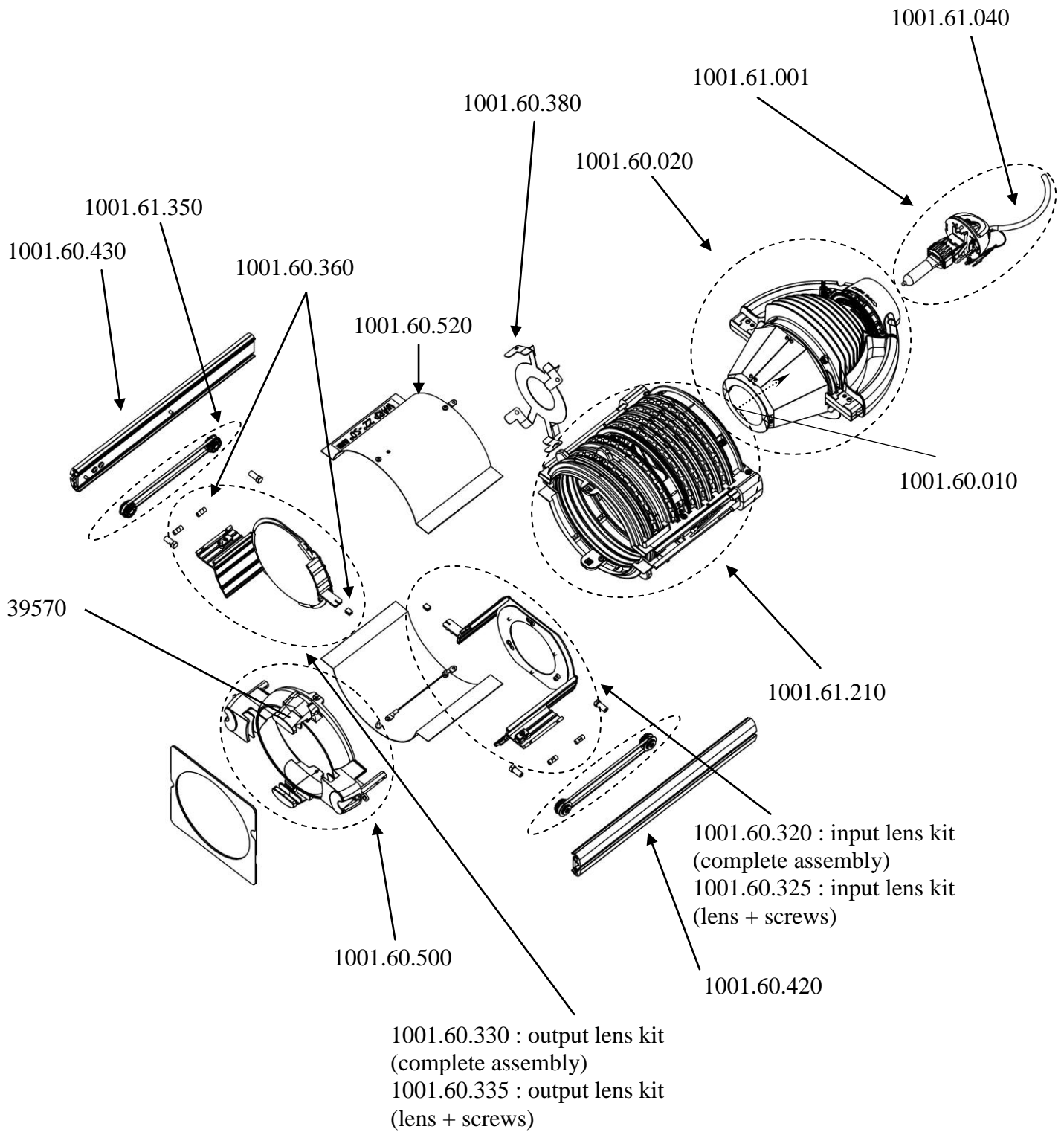
WARP/M/12-30

Spare parts to be installed by qualified service technician's only (Level 2).

| Code | Description | |
|-------------|----------------------------------|--|
| 1001.60.010 | Glass reflector | |
| 1001.60.020 | Lamphouse subassembly | |
| 1001.60.360 | Teflon ring kit | |
| 1001.61.200 | Wheel & ring subassembly 12°-30° | |
| 1001.61.340 | Belt kit | |

Note: For further details on WARP, please consult the Service Manual.

WARP/M/22-50



Distributed by AMLUX srl, 46042, Castel Goffredo (MN), info@amlux.it, www.amlux.it

WARP/M/22-50

| Code | Description | |
|-------------|-------------------------------------|--|
| 1001.60.320 | Input lens kit (complete assembly) | |
| 1001.60.325 | Input lens kit (lens + screws) | |
| 1001.60.330 | Output lens kit (complete assembly) | |
| 1001.60.335 | Output lens kit (lens + screws) | |
| 1001.60.380 | Diaphragm | |
| 1001.60.420 | Sliding rail for input lens | |
| 1001.60.430 | Sliding rail for output lens | |
| 1001.60.500 | Front cassette | |
| 1001.60.520 | Lens tube cover | |
| 1001.61.001 | Lamp subassembly | |
| 1001.61.040 | G9.5 lampholder kit with cable | |
| 39570 | Accessory holding clip | |

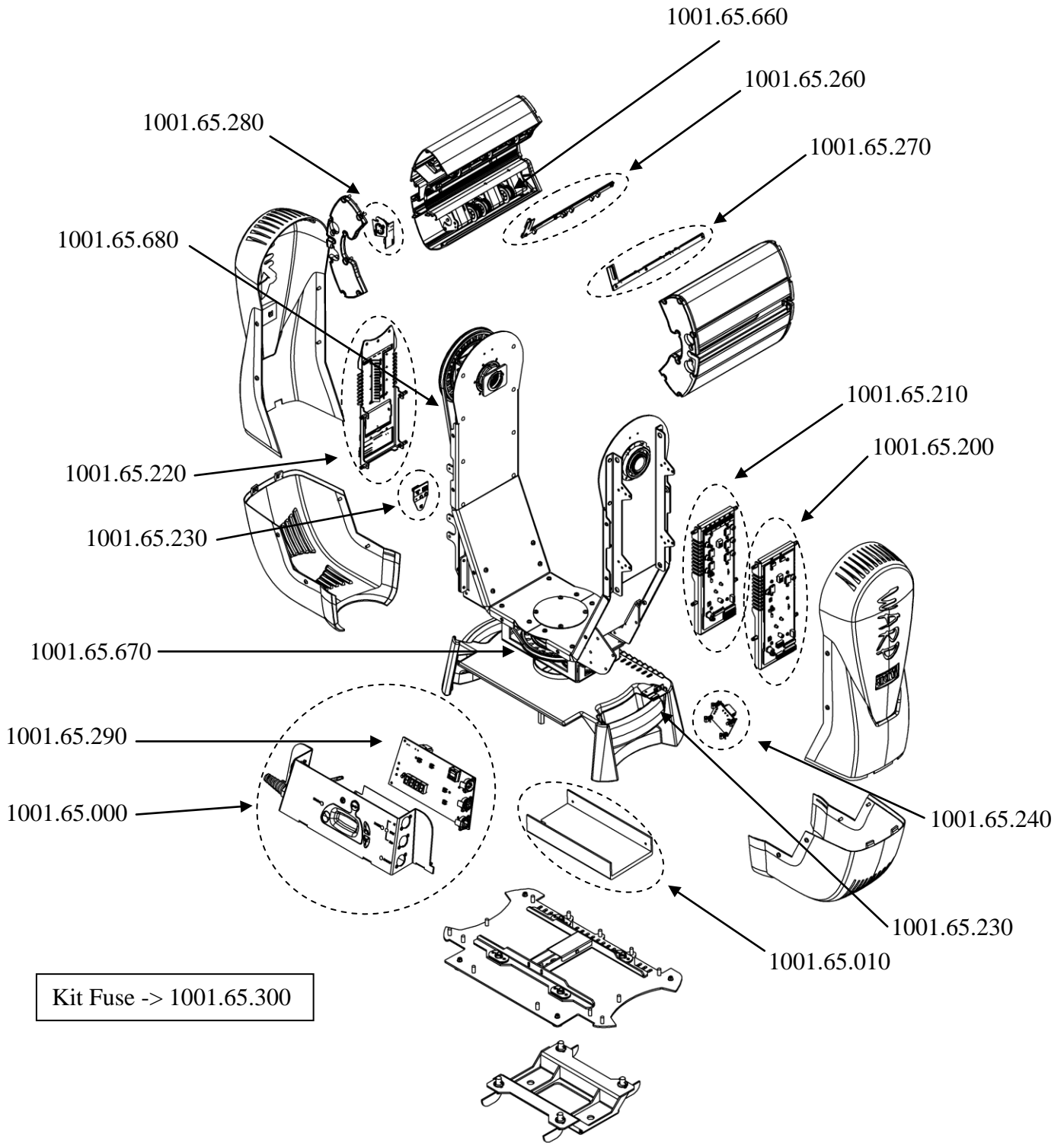
WARP/M/22-50

Spare parts to be installed by qualified service technician's only (Level 2).

| Code | Description | |
|-------------|----------------------------------|--|
| 1001.60.010 | Glass reflector | |
| 1001.60.020 | Lamphouse subassembly | |
| 1001.60.360 | Teflon ring kit | |
| 1001.61.210 | Wheel & ring subassembly 22°-50° | |
| 1001.61.350 | Belt kit | |

Note: For further details on WARP, please consult the Service Manual.

WARP/M/Yoke



Distributed by AMLUX srl, 46042, Castel Goffredo (MN), info@amlux.it, www.amlux.it

WARP/M/Yoke

| Code | Description |
|-------------|-------------|
| 1001.65.300 | Fuse kit |

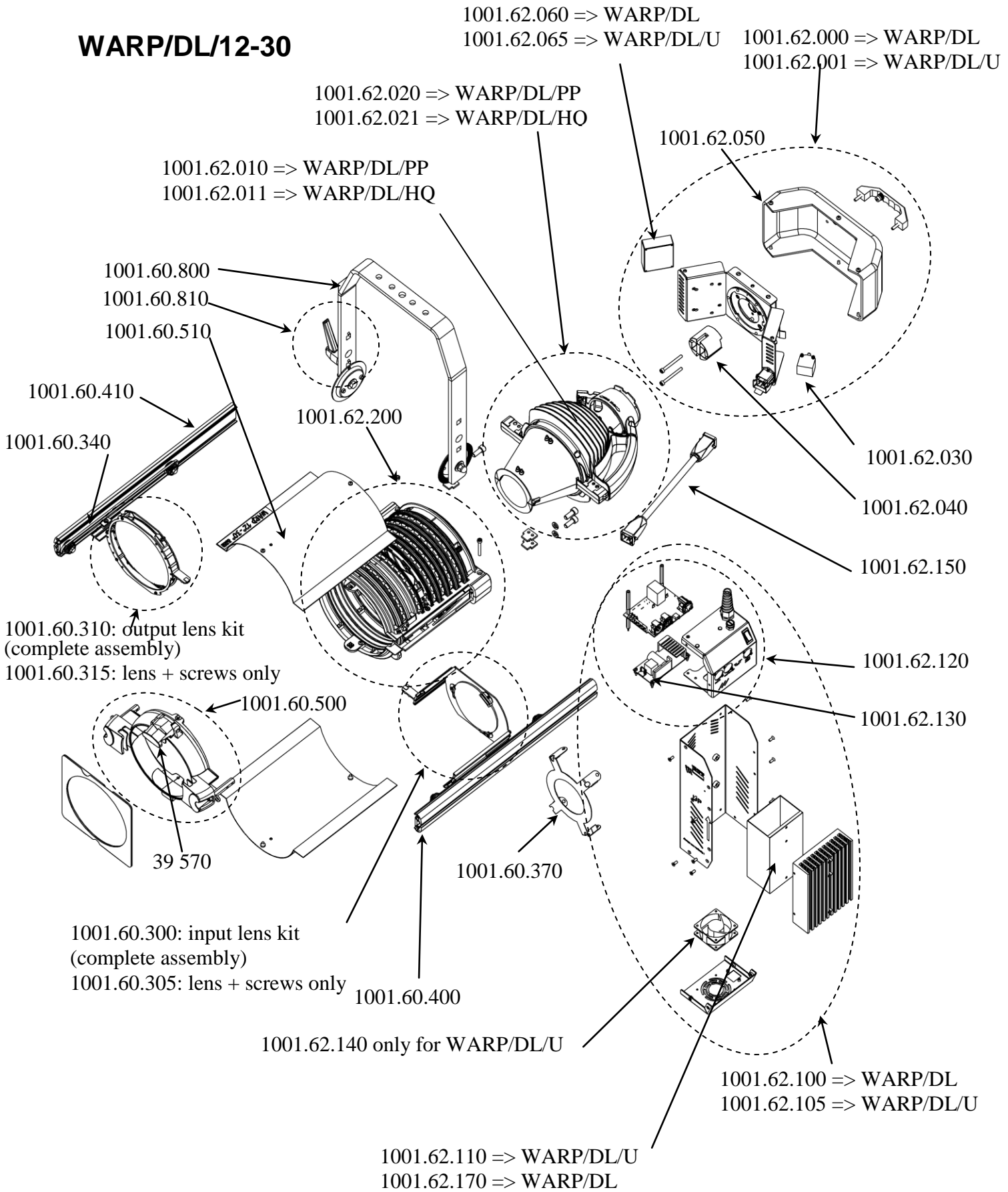
WARP/M/Yoke

Spare parts to be installed by qualified service technician's only (Level 2).

| Code | Description |
|-------------|--------------------------------------|
| 1001.65.000 | Top box front panel assembly |
| 1001.65.010 | 24 V DC power supply |
| 1001.65.200 | Pan & Tilt motordriver + cooling kit |
| 1001.65.210 | Left motordriver + cooling kit |
| 1001.65.220 | Right motordriver + cooling kit |
| 1001.65.230 | Magnet sensor kit |
| 1001.65.240 | PCB lamp control kit |
| 1001.65.260 | Infra red sensor right kit |
| 1001.65.270 | Infra red sensor left kit |
| 1001.65.280 | XLR-4 pts kit |
| 1001.65.290 | Top box board kit |
| 1001.65.660 | Kit motor gear |
| 1001.65.670 | Kit pan belt |
| 1001.65.680 | Kit tilt belt |

Note: For further details on WARP, please consult the Service Manual.

WARP/DL/12-30



Distributed by AMLUX srl, 46042, Castel Goffredo (MN), info@amlux.it, www.amlux.it

WARP/DL/12-30

| Code | Description | |
|-------------|---|--|
| 1001.60.220 | Friction adjustment screw kit | |
| 1001.60.300 | Input lens kit (complete assembly) | |
| 1001.60.305 | Input lens kit (lens + screws) | |
| 1001.60.310 | Output lens kit (complete assembly) | |
| 1001.60.315 | Output lens kit (lens + screws) | |
| 1001.60.340 | Driving belt kit | |
| 1001.60.360 | Teflon ring kit | |
| 1001.60.370 | Diaphragm | |
| 1001.60.400 | Sliding rail for input lens | |
| 1001.60.410 | Sliding rail for output lens | |
| 1001.60.500 | Front cassette | |
| 1001.60.510 | Lens tube cover | |
| 1001.60.800 | Yoke | |
| 1001.60.810 | Yoke handle | |
| 1001.60.820 | Lens ring control grip | |
| 1001.60.830 | Set of 8 shutter position finding lugs | |
| 1001.62.000 | G22 lamp subassembly WARP/DL | |
| 1001.62.001 | G22 lamp subassembly WARP/DL/U | |
| 1001.62.010 | Reflector PP for discharge lamp | |
| 1001.62.011 | Reflector HQ for discharge lamp | |
| 1001.62.020 | Lamphouse subassembly reflector PP | |
| 1001.62.021 | Lamphouse subassembly reflector HQ | |
| 1001.62.030 | Safety switch kit | |
| 1001.62.040 | G22 socket kit | |
| 1001.62.050 | Carter subassembly lamp kit | |
| 1001.62.060 | Igniter kit (hot restrike) for WARP/DL | |
| 1001.62.065 | Igniter kit (hot restrike) for WARP/DL/U | |
| 1001.62.100 | Ballast subassembly for WARP/DL | |
| 1001.62.105 | Ballast universal subassemb; (with fan) WARP/DL/U | |
| 1001.62.110 | 575W electronic ballast kit for WARP/DL/U | |
| 1001.62.120 | DMX board kit | |
| 1001.62.130 | 24 V power supply kit | |
| 1001.62.140 | Fan kit WARP/DL/U | |
| 1001.62.150 | Lighting unit's power cable | |
| 1001.62.170 | 575W electronic ballast kit WARP/DL | |
| 1001.62.200 | Wheel & ring subassembly | |
| | Standard replacement | |
| 39570 | Accessory holding clip | |

Distributed by AMLUX srl, 46042, Castel Goffredo (MN), info@amlux.it, www.amlux.it

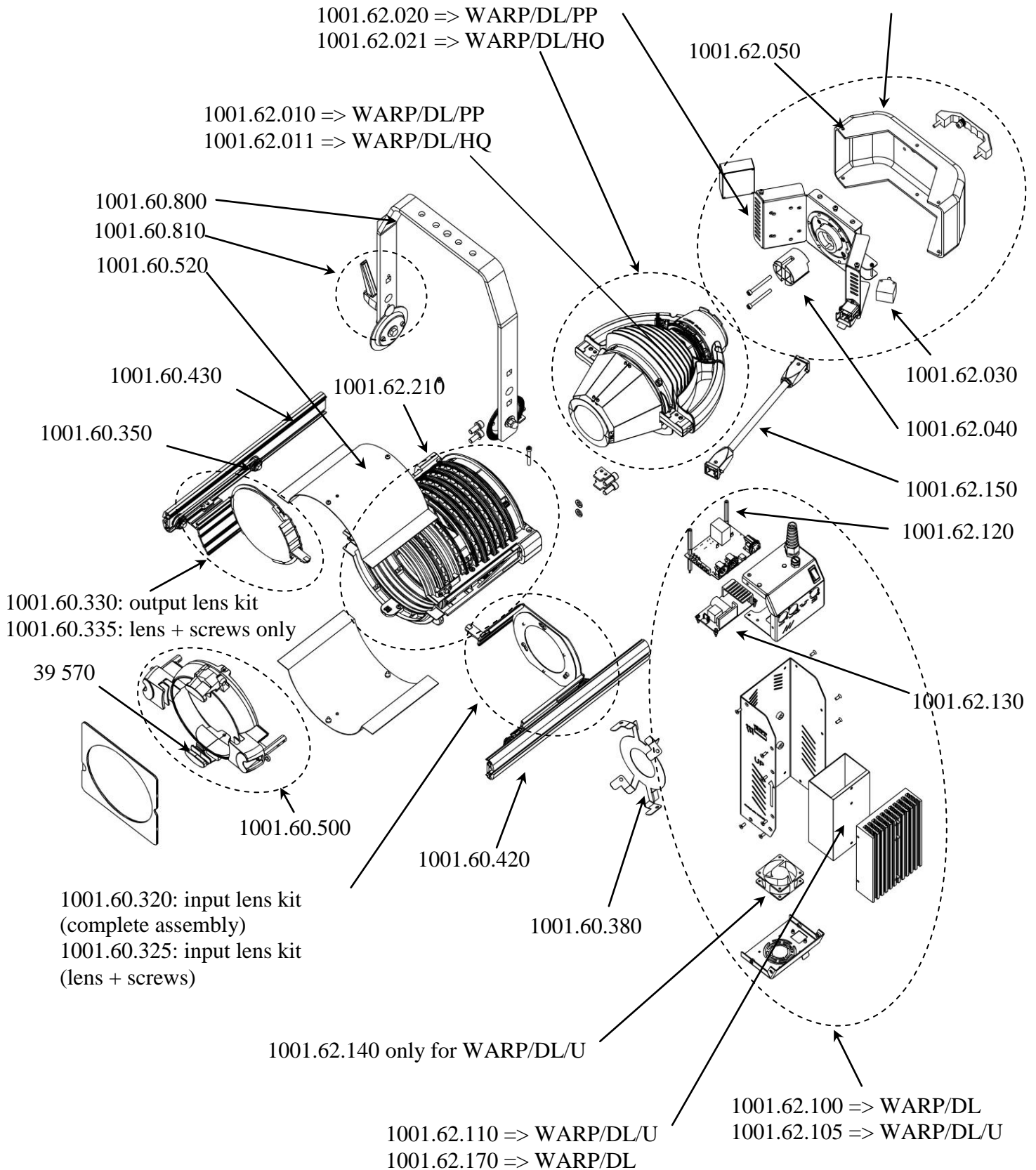
WARP/DL/22-50

1001.62.060 => WARP/DL
 1001.62.065 => WARP/DL/U

1001.62.000 => WARP/DL
 1001.62.001 => WARP/DL/U

1001.62.020 => WARP/DL/PP
 1001.62.021 => WARP/DL/HO

1001.62.010 => WARP/DL/PP
 1001.62.011 => WARP/DL/HQ



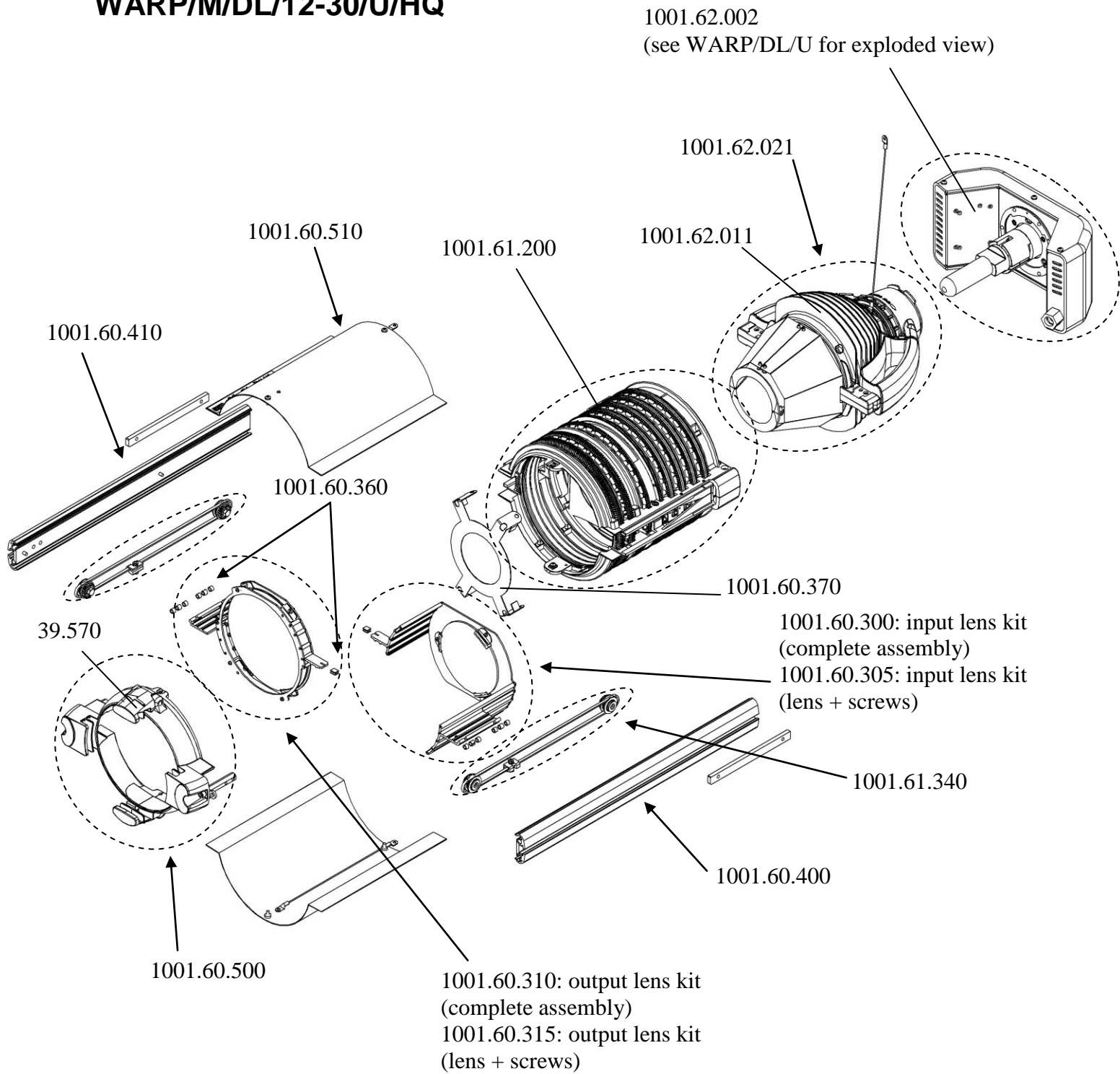
Distributed by AMLUX srl, 46042, Castel Goffredo (MN), info@amlux.it, www.amlux.it

WARP/DL/22-50

| Code | Description | |
|-------------|---|--|
| 1001.60.220 | Friction adjustment screw kit | |
| 1001.60.320 | Input lens kit (complete assembly) | |
| 1001.60.325 | Input lens kit (lens + screws) | |
| 1001.60.330 | Output lens kit (complete assembly) | |
| 1001.60.335 | Output lens kit (lens + screws) | |
| 1001.60.350 | Driving belt kit | |
| 1001.60.360 | Teflon ring kit | |
| 1001.60.380 | Diaphragm | |
| 1001.60.420 | Sliding rail for input lens | |
| 1001.60.430 | Sliding rail for output lens | |
| 1001.60.500 | Front cassette | |
| 1001.60.520 | Lens tube cover | |
| 1001.60.800 | Yoke | |
| 1001.60.810 | Yoke handle | |
| 1001.60.820 | Lens ring control grip | |
| 1001.60.830 | Set of 8 shutter position finding lugs | |
| 1001.62.000 | G22 lamp subassembly WARP/DL | |
| 1001.62.001 | G22 lamp subassembly WARP/DL/U | |
| 1001.62.010 | Reflector PP for discharge lamp | |
| 1001.62.011 | Reflector HQ for discharge lamp | |
| 1001.62.020 | Lamphouse subassembly reflector PP | |
| 1001.62.021 | Lamphouse subassembly reflector HQ | |
| 1001.62.030 | Safety switch kit | |
| 1001.62.040 | G22 socket kit | |
| 1001.62.050 | Carter subassembly lamp kit | |
| 1001.62.060 | Igniter kit (hot restrike) for WARP/DL | |
| 1001.62.065 | Igniter kit (hot restrike) for WARP/DL/U | |
| 1001.62.100 | Ballast subassembly for WARP/DL | |
| 1001.62.105 | Ballast universal subassemb. (with fan) WARP/DL/U | |
| 1001.62.110 | 575W electronic ballast kit for WARP/DL/U | |
| 1001.62.120 | DMX board kit | |
| 1001.62.130 | 24 V power supply kit | |
| 1001.62.140 | Fan kit WARP/DL/U | |
| 1001.62.150 | Lighting unit's power cable | |
| 1001.62.170 | 575W electronic ballast kit WARP/DL | |
| 1001.62.210 | Wheel & ring subassembly | |
| | Standard replacement | |
| 39570 | Accessory holding clip | |

Distributed by AMLUX srl, 46042, Castel Goffredo (MN), info@amlux.it, www.amlux.it

WARP/M/DL/12-30/U/HQ



Distributed by AMLUX srl, 46042, Castel Goffredo (MN), info@amlux.it, www.amlux.it

WARP/M/DL/12-30/U/HQ

| Code | Description | |
|-------------|-------------------------------------|--|
| 1001.60.300 | Input lens kit (complete assembly) | |
| 1001.60.305 | Input lens kit (lens + screws) | |
| 1001.60.310 | Output lens kit (complete assembly) | |
| 1001.60.315 | Output lens kit (lens + screws) | |
| 1001.60.370 | Diaphragm | |
| 1001.60.400 | Sliding rail for input lens | |
| 1001.60.410 | Sliding rail for output lens | |
| 1001.60.500 | Front cassette | |
| 1001.60.510 | Lens tube cover | |
| 1001.62.002 | G22 lamp subassembly WARP/M/DL/U | |
| 39570 | Accessory holding clip | |

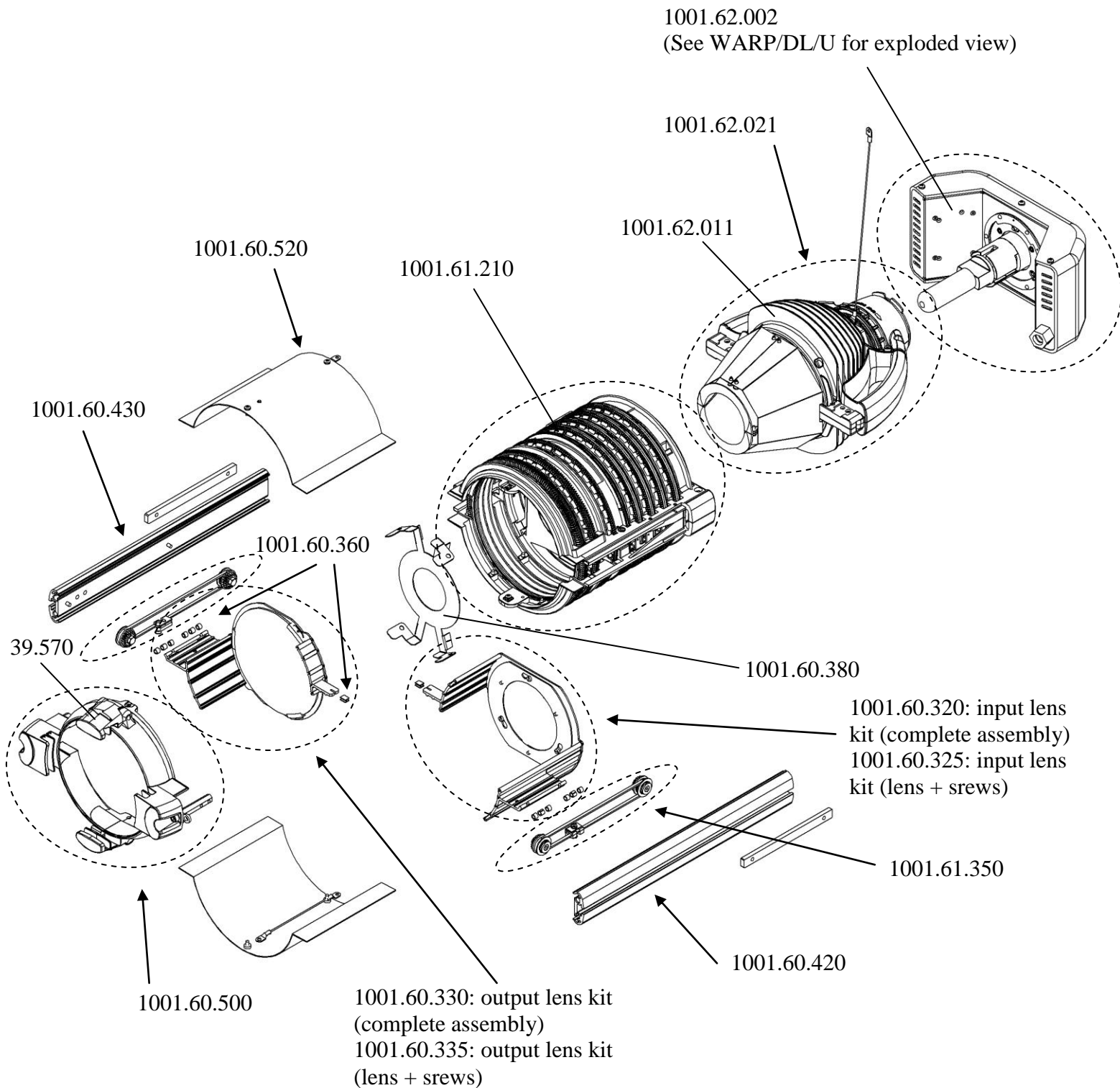
WARP/M/DL/12-30/U/HQ

Spare parts to be installed by qualified service technician's only (Level 2).

| Code | Description | |
|-------------|------------------------------------|--|
| 1001.60.360 | Teflon ring kit | |
| 1001.61.200 | Wheel & ring subassembly 12°-30° | |
| 1001.61.340 | Belt kit | |
| 1001.62.011 | Reflector HQ for discharge lamp | |
| 1001.62.021 | Lamphouse subassembly reflector HQ | |

Distributed by AMLUX srl, 46042, Castel Goffredo (MN), info@amlux.it, www.amlux.it

WARP/M/DL/22-50/U/HQ



Distributed by AMLUX srl, 46042, Castel Goffredo (MN), info@amlux.it, www.amlux.it

WARP/M/DL/22-50/U/HQ

| Code | Description | |
|-------------|-------------------------------------|--|
| 1001.60.320 | Input lens kit (complete assembly) | |
| 1001.60.325 | Input lens kit (lens + screws) | |
| 1001.60.330 | Output lens kit (complete assembly) | |
| 1001.60.335 | Output lens kit (lens + screws) | |
| 1001.60.380 | Diaphragm | |
| 1001.60.420 | Sliding rail for input lens | |
| 1001.60.430 | Sliding rail for output lens | |
| 1001.60.500 | Front cassette | |
| 1001.60.520 | Lens tube cover | |
| 1001.62.002 | G22 lamp subassembly WARP/M/DL/U | |
| 39570 | Accessory holding clip | |

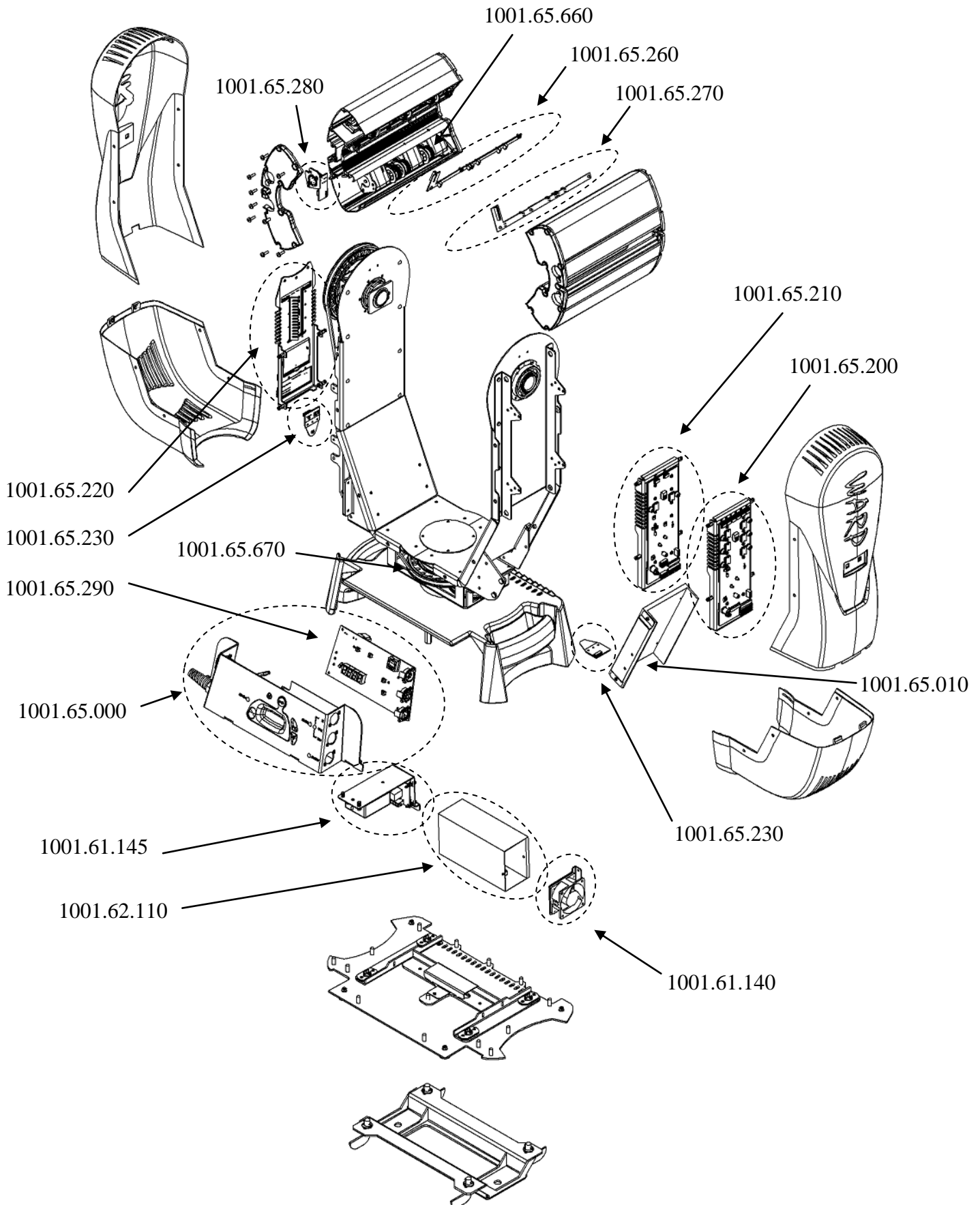
WARP/M/DL/22-50/U/HQ

Spare parts to be installed by qualified service technician's only (Level 2).

| Code | Description | |
|-------------|------------------------------------|--|
| 1001.60.360 | Teflon ring kit | |
| 1001.61.210 | Wheel & ring subassembly 22°-50° | |
| 1001.61.350 | Belt kit | |
| 1001.62.011 | Reflector HQ for discharge lamp | |
| 1001.62.021 | Lamphouse subassembly reflector HQ | |

Distributed by AMLUX srl, 46042, Castel Goffredo (MN), info@amlux.it, www.amlux.it

WARP/M/DL/Yoke



Distributed by AMLUX srl, 46042, Castel Goffredo (MN), info@amlux.it, www.amlux.it

WARP/M/DL/Yoke

| Code | Description |
|-------------|-------------|
| 1001.65.300 | Fuse kit |

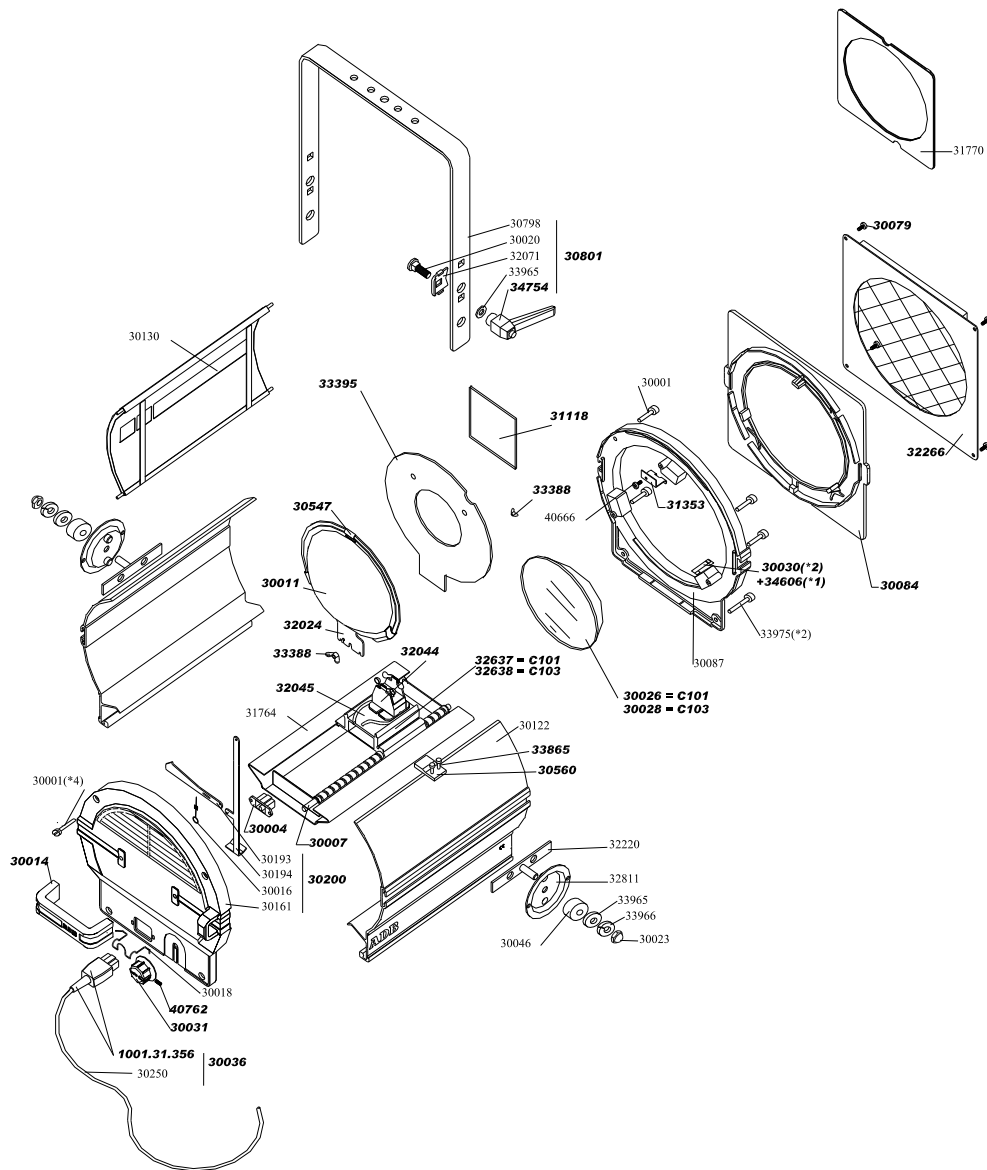
WARP/M/DL/Yoke

Spare parts to be installed by qualified service technician's only (Level 2).

| Code | Description |
|-------------|---|
| 1001.61.140 | Kit Fan |
| 1001.61.145 | Kit filter & relay PCB |
| 1001.62.110 | 575W electronic ballast kit for WARP/DL/U |
| 1001.65.000 | Top box front panel assembly |
| 1001.65.010 | 24 V DC power supply |
| 1001.65.200 | Pan & Tilt motordriver + cooling kit |
| 1001.65.210 | Left motordriver + cooling kit |
| 1001.65.220 | Right motordriver + cooling kit |
| 1001.65.230 | Magnet sensor kit |
| 1001.65.260 | Infra red sensor right kit |
| 1001.65.270 | Infra red sensor left kit |
| 1001.65.280 | XLR-4 pts kit |
| 1001.65.290 | Top box board kit |
| 1001.65.660 | Kit motor gear |
| 1001.65.670 | Kit pan belt |

Distributed by AMLUX srl, 46042, Castel Goffredo (MN), info@amlux.it, www.amlux.it

C 101 / C103



Distributed by AMLUX srl, 46042, Castel Goffredo (MN), info@amlux.it, www.amlux.it

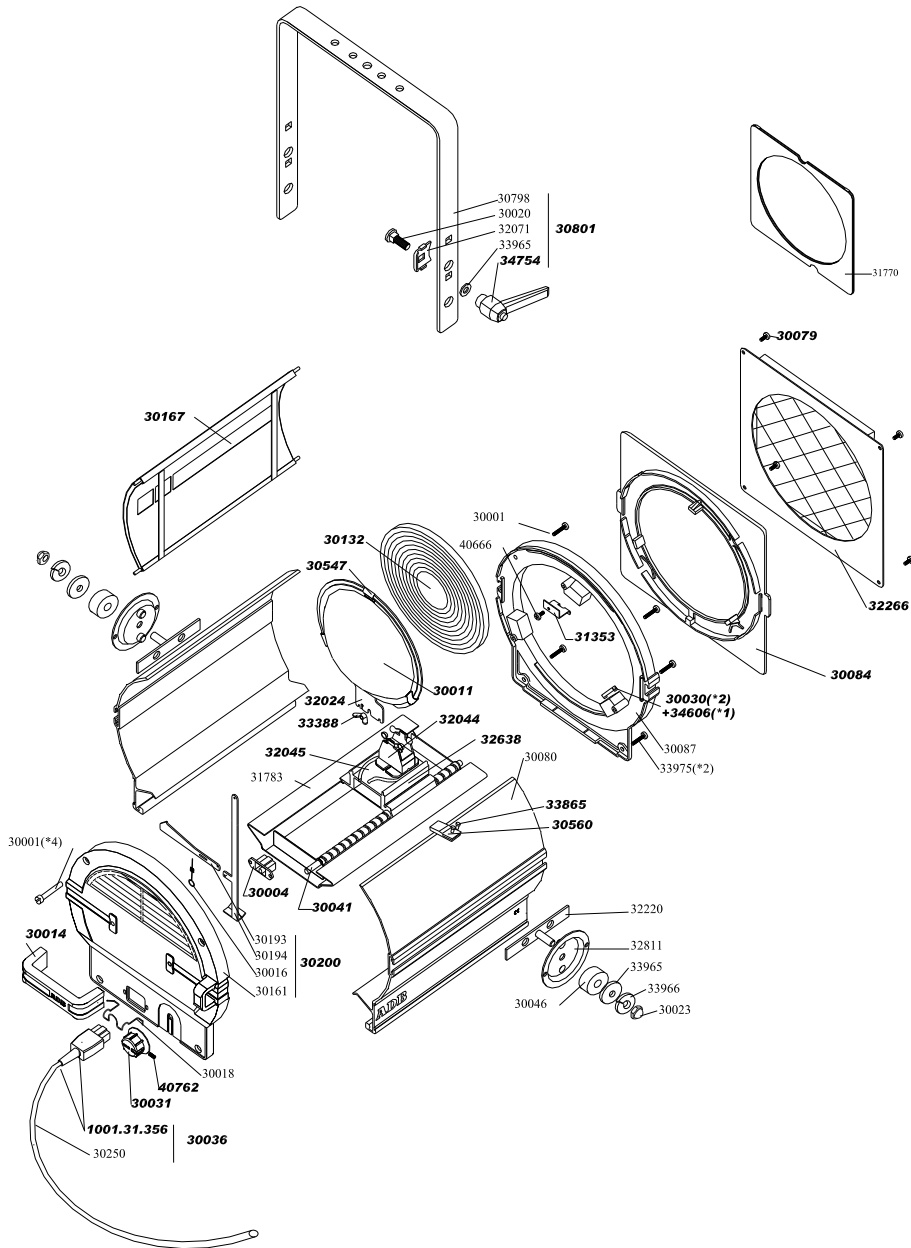
C 101 / C103

| Code | Description | |
|-------------|------------------------------------|--|
| 30004 | Fixed male connector | |
| 30007 | Focussing screw rod | |
| 30011 | Aluminium reflector | |
| 30014 | Grab handle | |
| 30026 | PC lens Ø150 / RC150 for C101 | |
| 30028 | Prism-convex lens Ø150 for C103 | |
| 30030 | U shape lens joint | |
| 30031 | Focus knob | |
| 30036 | 2m cable w/ CEE22 socket & no plug | |
| 30079 | TCC M4x10 black screw | |
| 30084 | 1 kW cassette | |
| 30130 | Sliding door | |
| 30200 | Backplate subassembly | |
| 30547 | Reflector mounting clip | |
| 30560 | Door latch | |
| 30801 | Yoke & clamping handle subassembly | |
| 31118 | Diffusing glass | |
| 31353 | Lens spring | |
| 32024 | Reflector holder | |
| 32044 | GX 9.5 lampholder kit | |
| 32045 | Lampholder support | |
| 32266 | New cassette | |
| 32637-1 | Lamp tray for C101 | |
| 32638-1 | Lamp tray for C103 | |
| 33388 | Brass wing nut | |
| 33395 | Shutter holder for C101 | |
| 33865 | Fixing screw for door latch | |
| 34606 | I shape lens joint | |
| 34754 | Clutch release handle | |
| 40762 | Focus knob screw | |
| 1001.31.356 | CEE 22 socket kit | |
| 1001.31.904 | Old cassette replacement kit | |
| 1090.62.101 | 4-leaf barndoor for old cassette | |

(a): Minimum order quantity = 10pcs.

Distributed by AMLUX srl, 46042, Castel Goffredo (MN), info@amlux.it, www.amlux.it

F101



Distributed by AMLUX srl, 46042, Castel Goffredo (MN), info@amlux.it, www.amlux.it

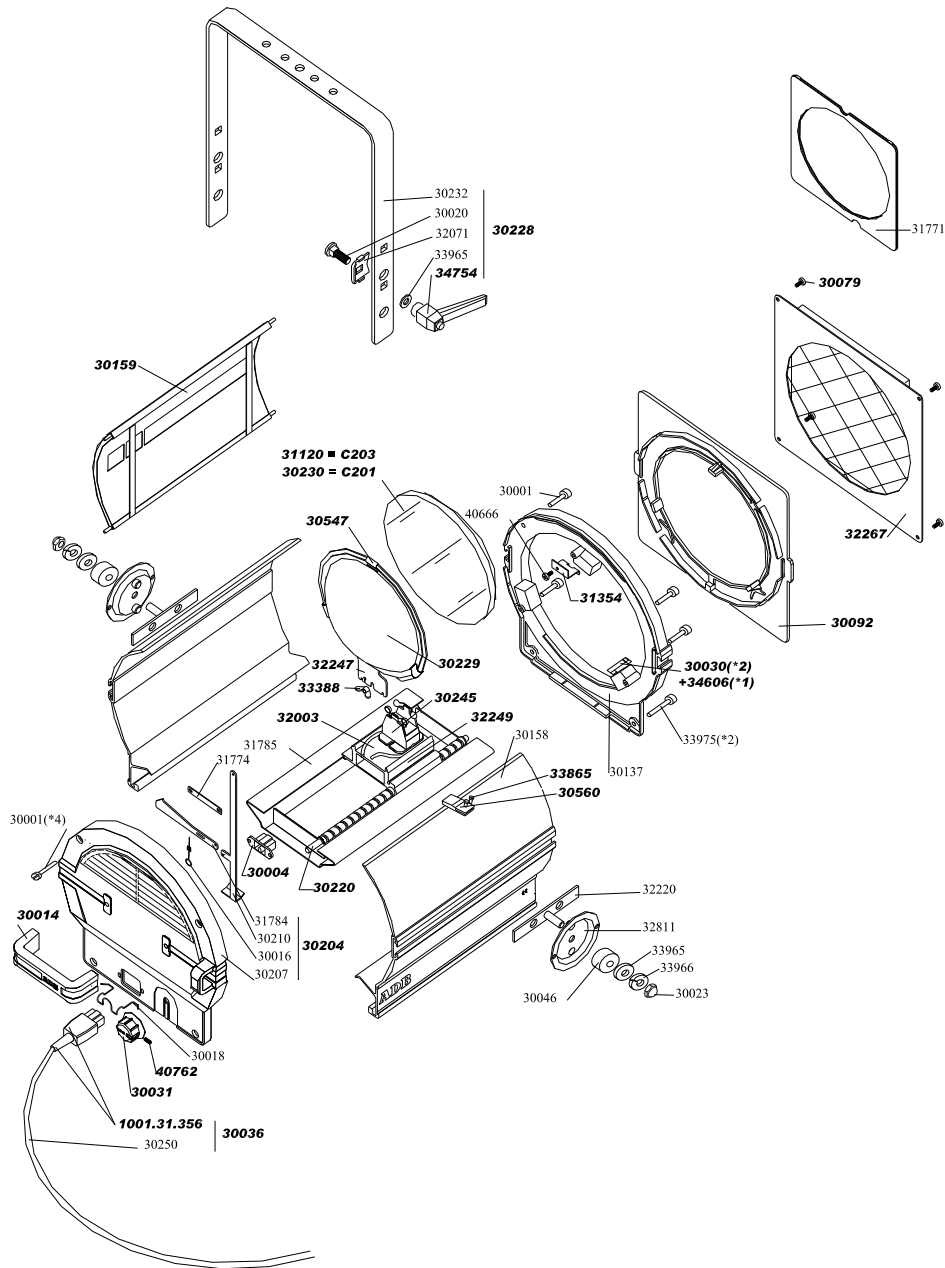
F101

| Code | Description | |
|-------------|------------------------------------|--|
| 30004 | Fixed male connector | |
| 30011 | Aluminium reflector | |
| 30014 | Grab handle | |
| 30030 | U shape lens joint | |
| 30031 | Focus knob | |
| 30036 | 2m cable w/ CEE22 socket & no plug | |
| 30041 | Focussing screw rod | |
| 30079 | TCC M4x10 black screw | |
| 30084 | 1 kW cassette | |
| 30132 | Fresnel lens Ø150 / F100 | |
| 30167 | Sliding door subassembly | |
| 30200 | Backplate subassembly | |
| 30547 | Reflector mounting clip | |
| 30560 | Door latch | |
| 30801 | Yoke & clamping handle subassembly | |
| 31353 | Lens spring | |
| 32024 | Reflector holder | |
| 32044 | GX 9.5 lampholder kit | |
| 32045 | Lampholder support | |
| 32266 | New cassette | |
| 32638-1 | Lamp tray for C103 | |
| 33388 | Brass wing nut | |
| 33865 | Fixing screw for door latch | |
| 34606 | I shape lens joint | |
| 34754 | Clutch release handle | |
| 40762 | Focus knob screw | |
| 1001.31.356 | CEE 22 socket kit | |
| 1001.31.904 | Old cassette replacement kit | |
| 1090.62.101 | 4-leaf barndoor for old cassette | |

(a): Minimum order quantity = 10pcs.

Distributed by AMLUX srl, 46042, Castel Goffredo (MN), info@amlux.it, www.amlux.it

C201 / C203



Distributed by AMLUX srl, 46042, Castel Goffredo (MN), info@amlux.it, www.amlux.it

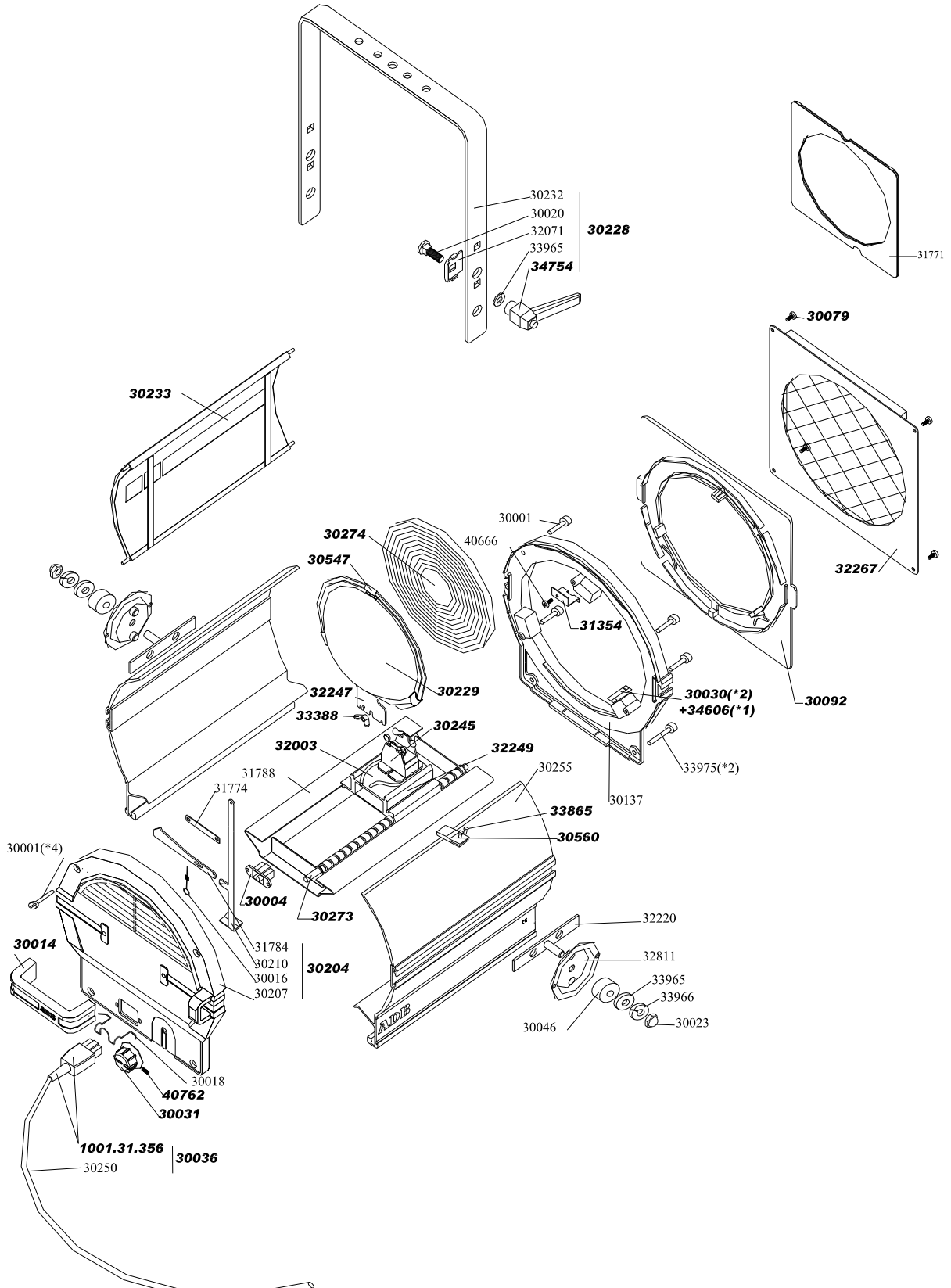
C201 / C203

| Code | Description | |
|-------------|------------------------------------|--|
| 30004 | Fixed male connector | |
| 30014 | Grab handle | |
| 30030 | U shape lens joint | |
| 30031 | Focus knob | |
| 30036 | 2m cable w/ CEE22 socket & no plug | |
| 30079 | TCC M4x10 black screw | |
| 30092 | 2 kW cassette | |
| 30159 | Sliding door subassembly | |
| 30204 | Backplate subassembly | |
| 30220 | Focussing screw rod | |
| 30228 | Yoke & clamping handle subassembly | |
| 30229 | Aluminium reflector | |
| 30230 | PC lens Ø200 / RC178 for C201 | |
| 30245 | GY 16 lampholder kit | |
| 30547 | Reflector mounting clip | |
| 30560 | Door latch | |
| 31120 | Prism-convex lens Ø200 for C203 | |
| 31354 | Lens spring | |
| 32003 | Lampholder support | |
| 32247 | Reflector holder | |
| 32249 | Lamp tray | |
| 32267 | New cassette | |
| 33388 | Brass wing nut | |
| 33865 | Fixing screw for door latch | |
| 34606 | I shape lens joint | |
| 34754 | Clutch release handle | |
| 40762 | Focus knob screw | |
| 1001.31.356 | CEE 22 socket kit | |
| 1001.31.905 | Old cassette replacement kit | |
| 1090.62.200 | 4-leaf barndoor for old cassette | |

(a): Minimum order quantity = 10pcs.

Distributed by AMLUX srl, 46042, Castel Goffredo (MN), info@amlux.it, www.amlux.it

F 201



Distributed by AMLUX srl, 46042, Castel Goffredo (MN), info@amlux.it, www.amlux.it

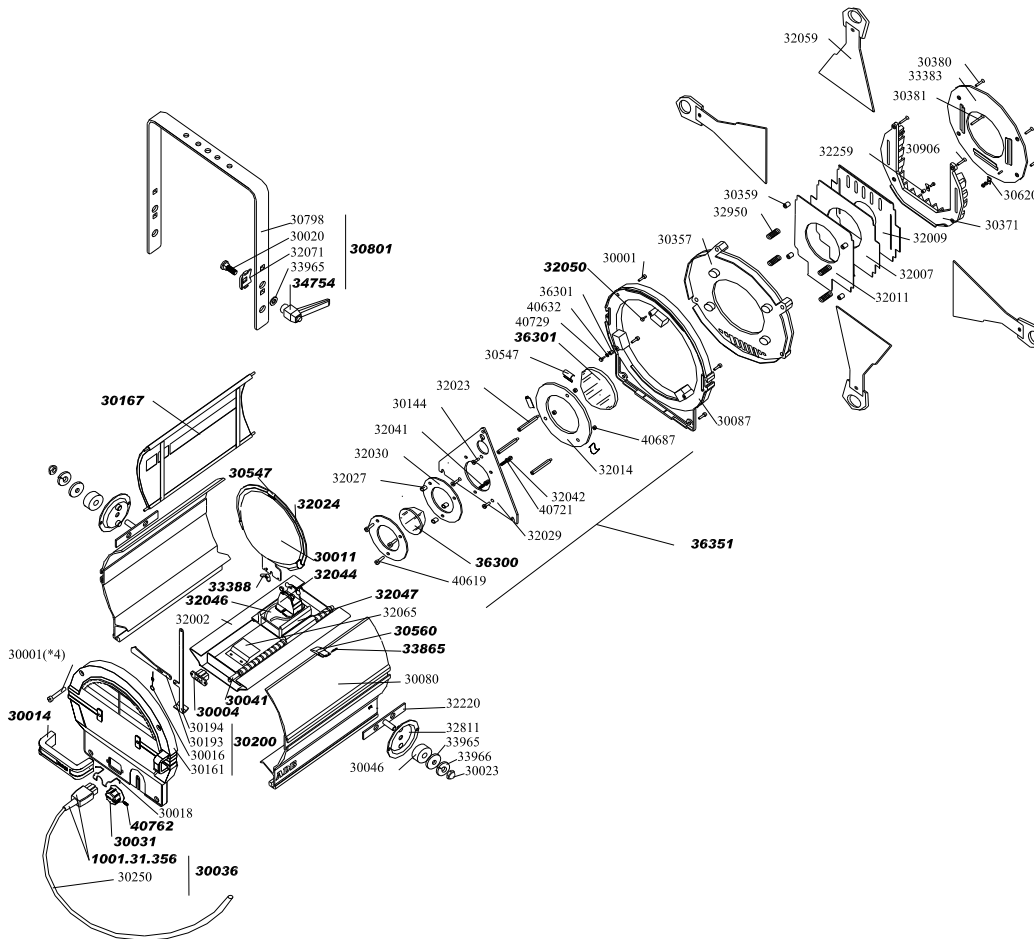
F 201

| Code | Description | |
|-------------|------------------------------------|--|
| 30004 | Fixed male connector | |
| 30014 | Grab handle | |
| 30030 | U shape lens joint | |
| 30031 | Focus knob | |
| 30036 | 2m cable w/ CEE22 socket & no plug | |
| 30079 | TCC M4x10 black screw | |
| 30092 | 2 kW cassette | |
| 30204 | Backplate subassembly | |
| 30228 | Yoke & clamping handle subassembly | |
| 30229 | Aluminium reflector | |
| 30233 | Sliding door subassembly | |
| 30245 | GY 16 lampholder kit | |
| 30273 | Focussing screw rod | |
| 30274 | Fresnel lens Ø200 / F150 | |
| 30547 | Reflector mounting clip | |
| 30560 | Door latch | |
| 31354 | Lens spring | |
| 32003 | Lampholder support | |
| 32247 | Reflector holder | |
| 32249 | Lamp tray | |
| 32267 | New cassette | |
| 33388 | Brass wing nut | |
| 33865 | Fixing screw for door latch | |
| 34606 | I shape lens joint | |
| 34754 | Clutch release handle | |
| 40762 | Focus knob screw | |
| 1001.31.356 | CEE 22 socket kit | |
| 1001.31.905 | Old cassette replacement kit | |
| 1090.62.200 | 4-leaf barndoor for old cassette | |

(a): Minimum order quantity = 10pcs.

Distributed by AMLUX srl, 46042, Castel Goffredo (MN), info@amlux.it, www.amlux.it

Backpart common to 1 kW D/105 profiles

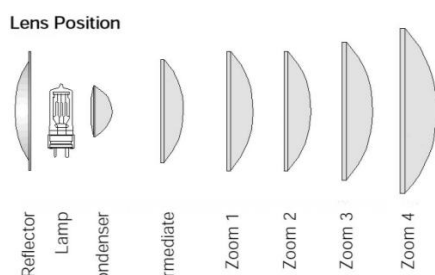


Distributed by AMLUX srl, 46042, Castel Goffredo (MN), info@amlux.it, www.amlux.it

Backpart common to 1 kW D/105 profiles

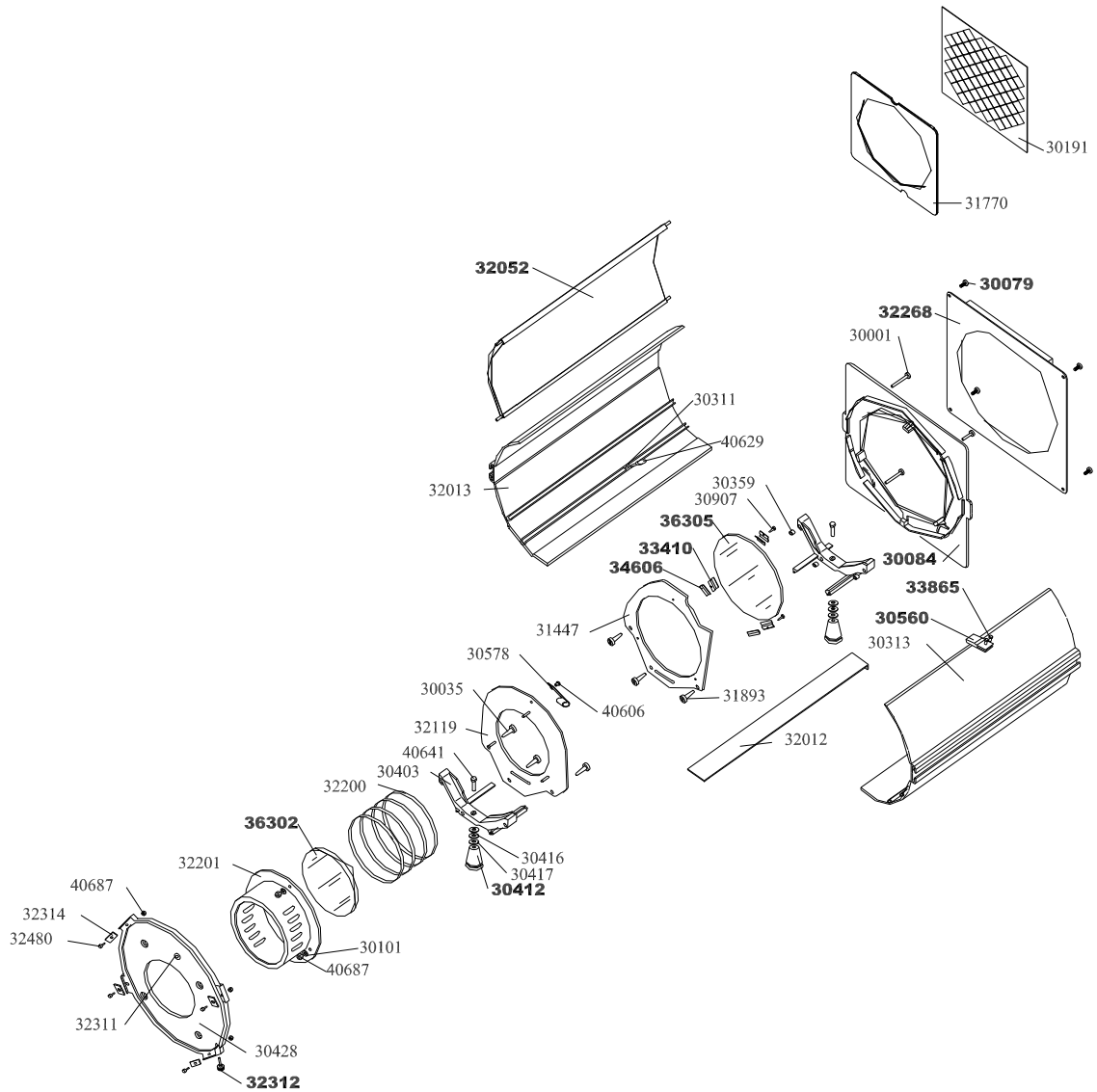
| Code | Description |
|-------------|------------------------------------|
| 30004 | Fixed male connector |
| 30011 | Aluminium reflector |
| 30014 | Grab handle |
| 30036 | 2m cable w/ CEE22 socket & no plug |
| 30041 | Focussing screw rod |
| 30167 | Sliding door subassembly |
| 30200 | Backplate subassembly |
| 30547 | Reflector mounting clip |
| 30560 | Door latch |
| 30801 | Yoke & clamping handle subassembly |
| 32024 | Reflector holder |
| 32044 | GX 9.5 lampholder kit |
| 32046 | Lampholder support |
| 32047 | Lamp tray |
| 32050 | Safety screw |
| 33388 | Brass wing nut |
| 33865 | Fixing screw for door latch |
| 34754 | Clutch release handle |
| 36300 | Condenser lens Ø 68 |
| 36301 | Intermediate PC lens Ø 89 |
| 36351 | Optical subassembly |
| 1001.31.356 | CEE 22 socket kit |
| 1000.36.930 | Set of 4 beam shaping shutters |
| 1000.40.085 | Retention ring for gobo size A |

Note: all lenses with anti-reflection coating.



Distributed by AMLUX srl, 46042, Castel Goffredo (MN), info@amlux.it, www.amlux.it

DS105



Distributed by AMLUX srl, 46042, Castel Goffredo (MN), info@amlux.it, www.amlux.it

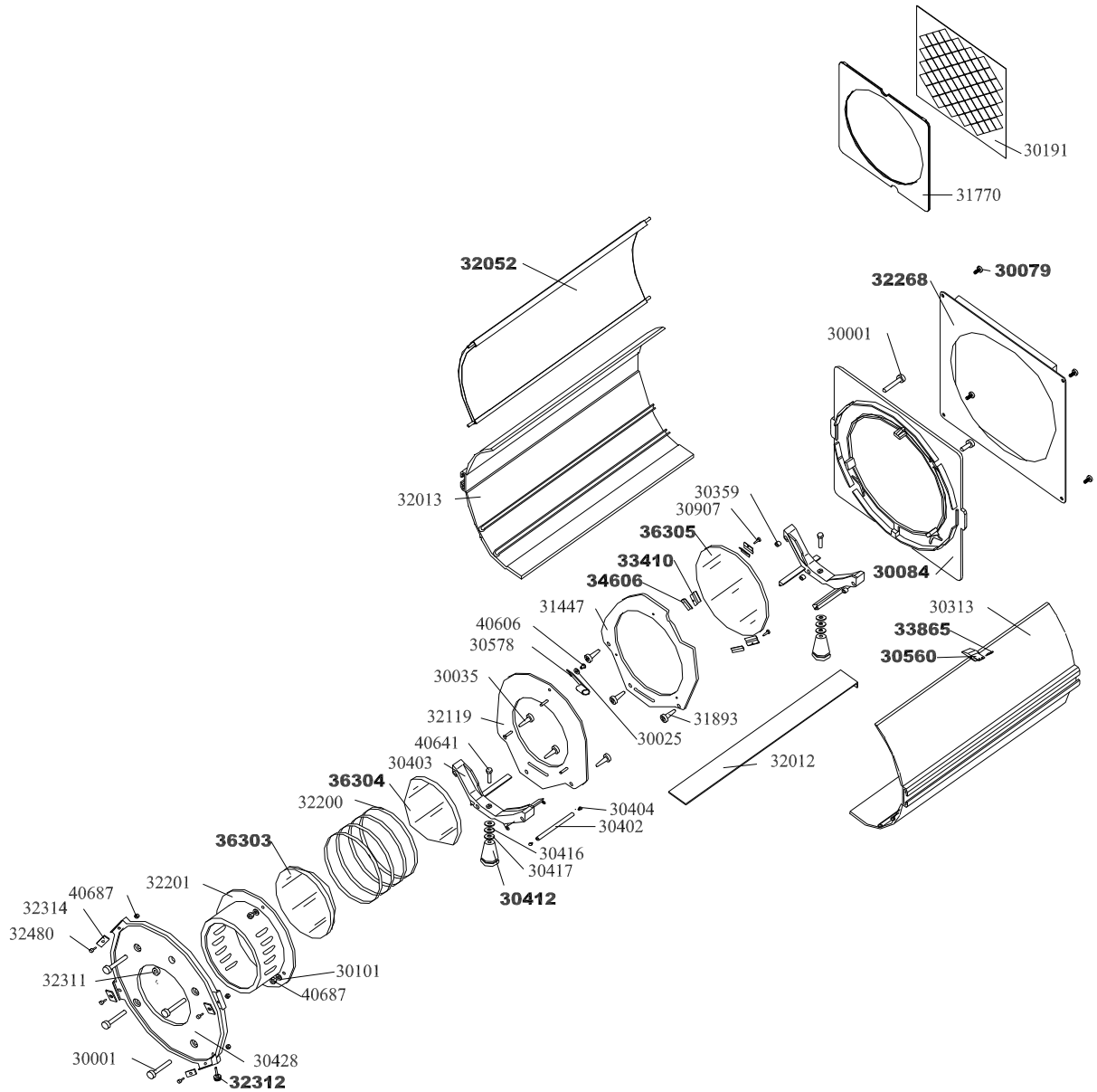
DS105

| Code | Description | |
|-------------|------------------------------|--|
| 30079 | TCC M4x10 black screw | |
| 30084 | 1 kW cassette | |
| 30412 | Focus knob | |
| 30560 | Door latch | |
| 32052 | Lens tube door | |
| 32268 | New cassette | |
| 32312 | Rotation control knob | |
| 33410 | Lens fastener | |
| 33865 | Fixing screw for door latch | |
| 34606 | I shape lens joint | |
| 36302 | Zoom PC lens Ø114.3 / RC150 | |
| 36305 | Zoom PC lens Ø152.4 / RC163 | |
| 1001.31.906 | Old cassette replacement kit | |

(a): Minimum order quantity = 10pcs.

Note: all lenses with anti-reflection coating.

DW105



Distributed by AMLUX srl, 46042, Castel Goffredo (MN), info@amlux.it, www.amlux.it

DW105

| Code | Description | |
|-------------|------------------------------|--|
| 30079 | TCC M4x10 black screw | |
| 30084 | 1 kW cassette | |
| 30412 | Focus knob | |
| 30560 | Door latch | |
| 32052 | Lens tube door | |
| 32268 | New cassette | |
| 32312 | Rotation control knob | |
| 33410 | Lens fastener | |
| 33865 | Fixing screw for door latch | |
| 34606 | I shape lens joint | |
| 36303 | Zoom PC lens Ø114.3 / RC163 | |
| 36304 | Zoom PC lens Ø114.3 / RC216 | |
| 36305 | Zoom PC lens Ø152.4 / RC163 | |
| 1001.31.906 | Old cassette replacement kit | |

(a): Minimum order quantity = 10pcs.

Note: all lenses with anti-reflection coating.

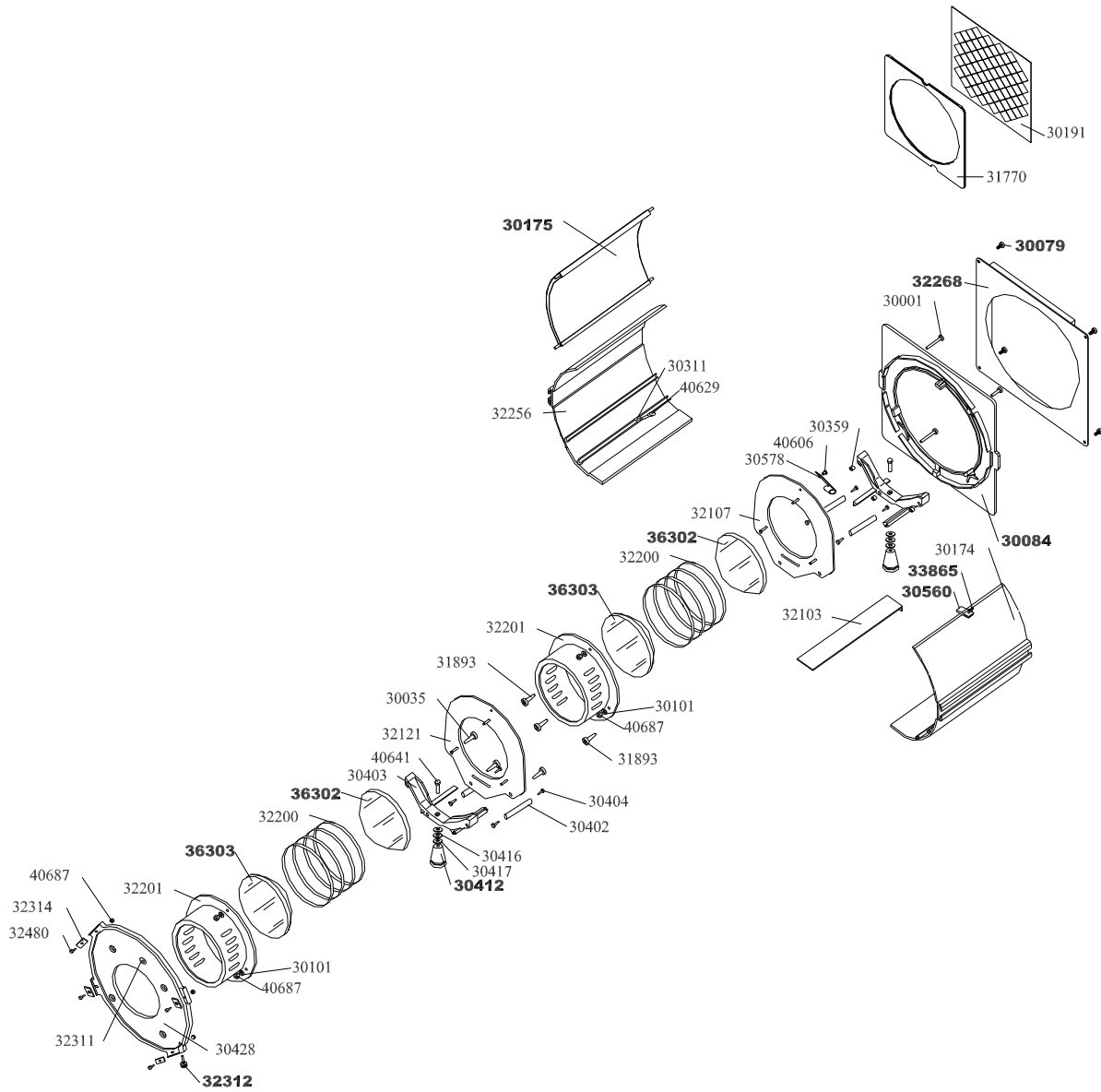
DN105

| Code | Description | |
|-------------|------------------------------|--|
| 30079 | TCC M4x10 black screw | |
| 30092 | 2 kW cassette | |
| 30175 | Lense tube rear door | |
| 30178 | Lense tube front door | |
| 30412 | Focus knob | |
| 30560 | Door latch | |
| 32269 | New cassette | |
| 32312 | Rotation control knob | |
| 33410 | Lens fastener | |
| 33865 | Fixing screw for door latch | |
| 34606 | I shape lens joint | |
| 36302 | Zoom PC lens Ø114.3 / RC150 | |
| 36308 | Zoom PC lens Ø203 / RC245 | |
| 1001.31.907 | Old cassette replacement kit | |

(a): Minimum order quantity = 10pcs.

Note: all lenses with anti-reflection coating.

DVW105



Distributed by AMLUX srl, 46042, Castel Goffredo (MN), info@amlux.it, www.amlux.it

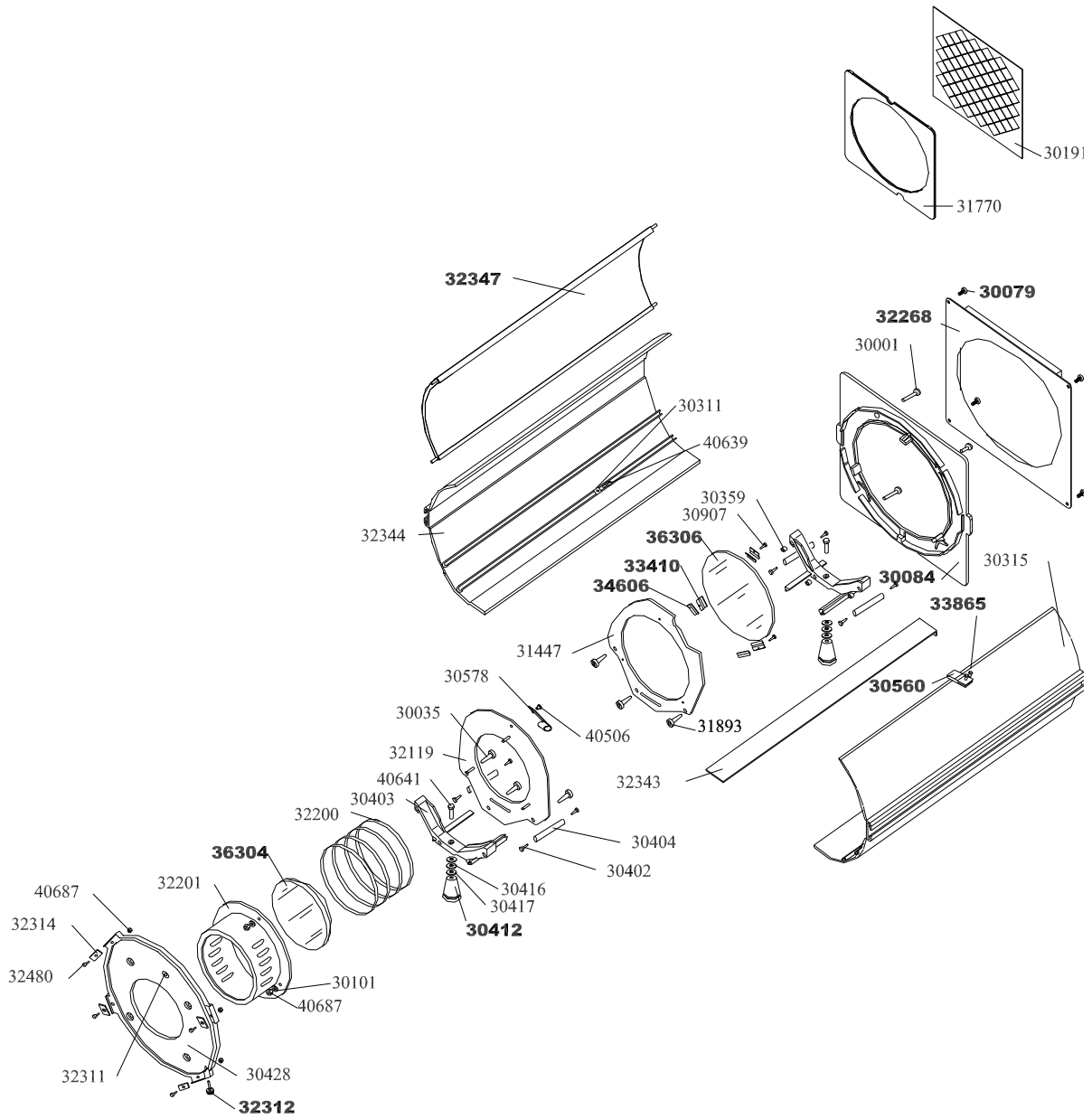
DVW105

| Code | Description | |
|-------------|------------------------------|--|
| 30079 | TCC M4x10 black screw | |
| 30084 | 1 kW cassette | |
| 30175 | Lense tube rear door | |
| 30412 | Focus knob | |
| 30560 | Door latch | |
| 32268 | New cassette | |
| 32312 | Rotation control knob | |
| 33865 | Fixing screw for door latch | |
| 36302 | Zoom PC lens Ø114.3 / RC150 | |
| 36303 | Zoom PC lens Ø114.3 / RC163 | |
| 36305 | Zoom PC lens Ø152.4 / RC163 | |
| 1001.31.908 | Old cassette replacement kit | |

(a): Minimum order quantity = 10pcs.

Note: all lenses with anti-reflection coating.

DSN105



Distributed by AMLUX srl, 46042, Castel Goffredo (MN), info@amlux.it, www.amlux.it

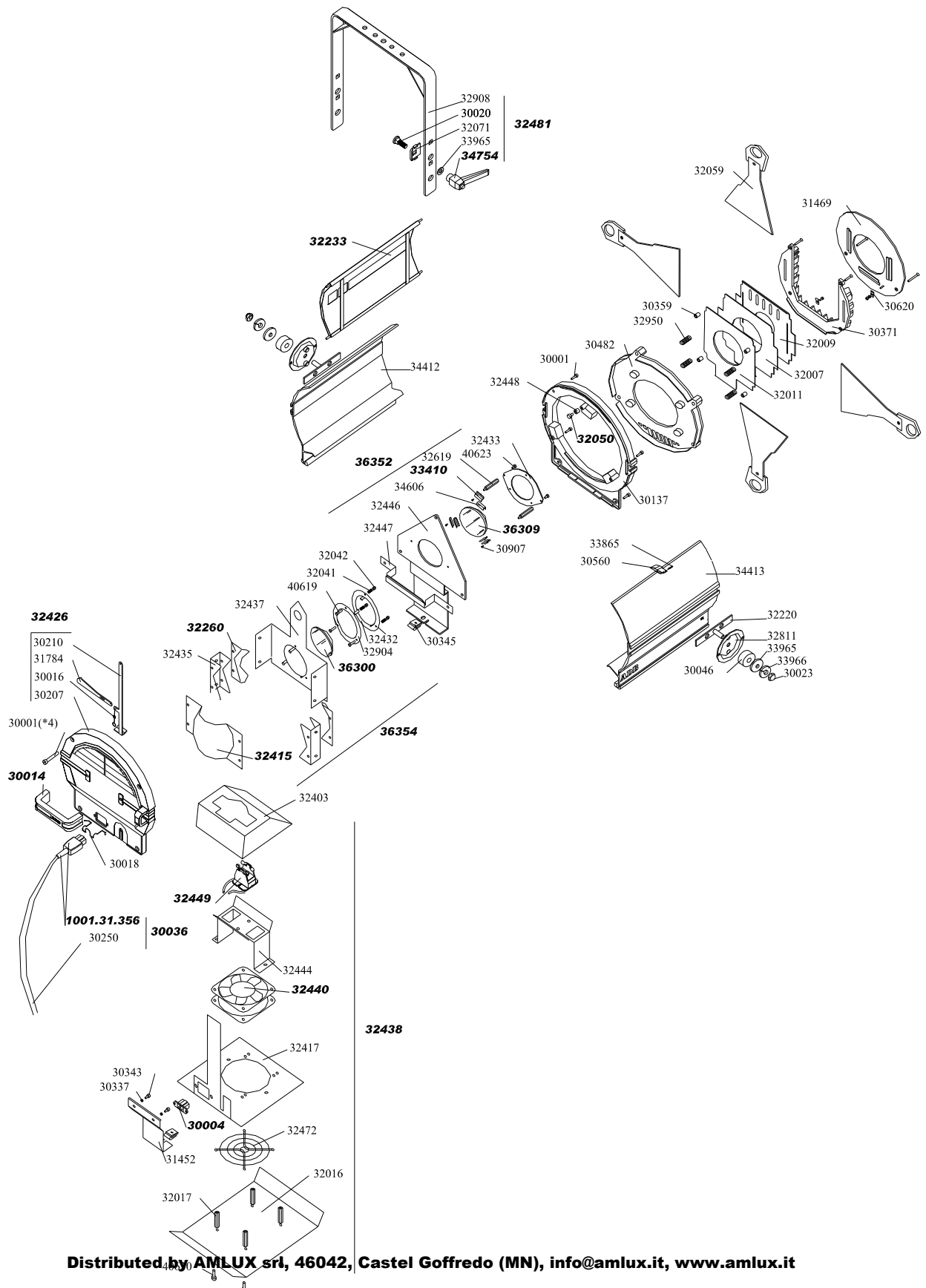
DSN105

| Code | Description | |
|-------------|------------------------------|--|
| 30079 | TCC M4x10 black screw | |
| 30084 | 1 kW cassette | |
| 30412 | Focus knob | |
| 30560 | Door latch | |
| 32268 | New cassette | |
| 32312 | Rotation control knob | |
| 32347 | Lens tube door | |
| 33410 | Lens fastener | |
| 33865 | Fixing screw for door latch | |
| 34606 | I shape lens joint | |
| 36304 | Zoom PC lens Ø114.3 / RC216 | |
| 36306 | Zoom PC lens Ø152.4 / RC190 | |
| 1001.31.909 | Old cassette replacement kit | |

(a): Minimum order quantity = 10pcs.

Note: all lenses with anti-reflection coating.

Backpart common to 2 kW D/205 profiles

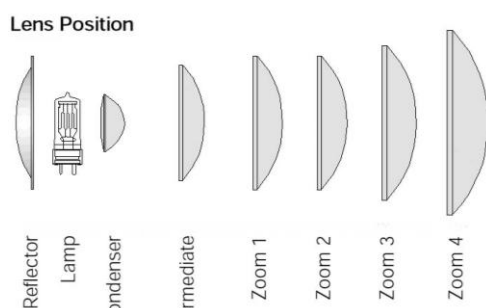


Distributed by **AMLUX srl, 46042, Castel Goffredo (MN), info@amlux.it, www.amlux.it**

Backpart common to 2 kW D/205 profiles

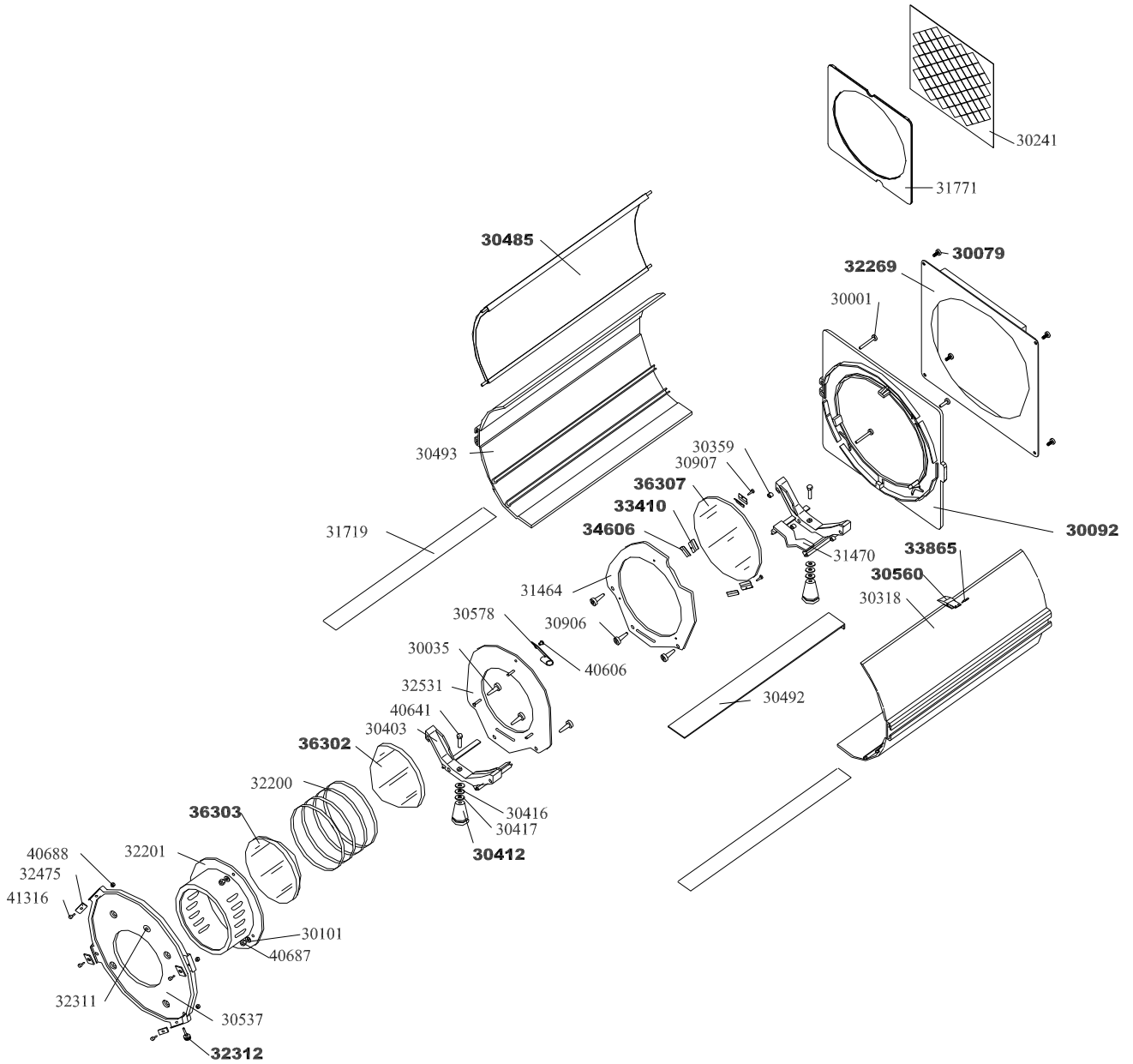
| Code | Description | |
|-------------|--------------------------------------|--|
| 30004 | Fixed male connector | |
| 30014 | Grab handle | |
| 30036 | 2m cable w/ CEE22 socket & no plug | |
| 30560 | Door latch | |
| 32050 | Safety screw | |
| 32233 | Lamphouse door | |
| 32260 | ½ counter-mirror | |
| 32415 | Aluminium reflector | |
| 32426 | Backplate subassembly | |
| 32438 | Lampholder / fan subassembly | |
| 32440 | Fan | |
| 32449 | GY 16 lampholder kit | |
| 32481 | Yoke and clamping handle subassembly | |
| 33410 | Lens fastener | |
| 33865 | Fixing screw for door latch | |
| 34754 | Clutch release handle | |
| 36300 | Condenser lens Ø 68 | |
| 36309 | Intermediate PC lens Ø114.3 / RC102 | |
| 36352 | Intermediate lens kit | |
| 36354 | Optical subassembly | |
| 1001.31.356 | CEE 22 socket kit | |
| 1000.36.930 | Set of 4 beam shaping shutters | |
| 1000.40.085 | Retention ring for gobo size A | |

Note: all lenses with anti-reflection coating.



Distributed by AMLUX srl, 46042, Castel Goffredo (MN), info@amlux.it, www.amlux.it

DS 205



Distributed by AMLUX srl, 46042, Castel Goffredo (MN), info@amlux.it, www.amlux.it

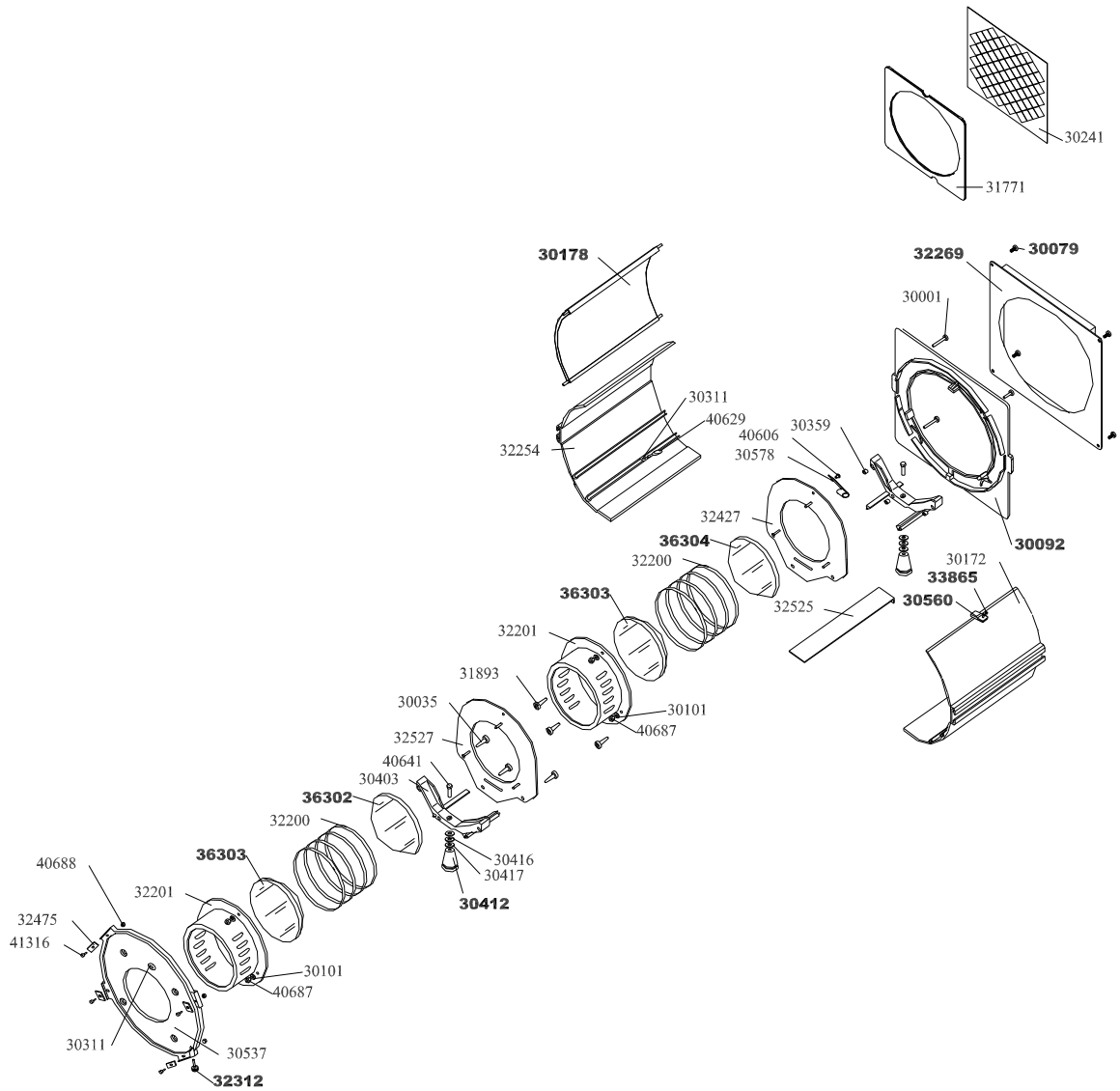
DS 205

| Code | Description | |
|-------------|------------------------------|--|
| 30079 | TCC M4x10 black screw | |
| 30092 | 2 kW cassette | |
| 30412 | Focus knob | |
| 30485 | Lens tube door | |
| 30560 | Door latch | |
| 32269 | New cassette | |
| 32312 | Rotation control knob | |
| 33410 | Lens fastener | |
| 33865 | Fixing screw for door latch | |
| 34606 | I shape lens joint | |
| 36302 | Zoom PC lens Ø114.3 / RC150 | |
| 36303 | Zoom PC lens Ø114.3 / RC163 | |
| 36307 | Zoom PC lens Ø203 / RC216 | |
| 1001.31.910 | Old cassette replacement kit | |

(a): Minimum order quantity = 10pcs.

Note: all lenses with anti-reflection coating.

DVW 205



Distributed by AMLUX srl, 46042, Castel Goffredo (MN), info@amlux.it, www.amlux.it

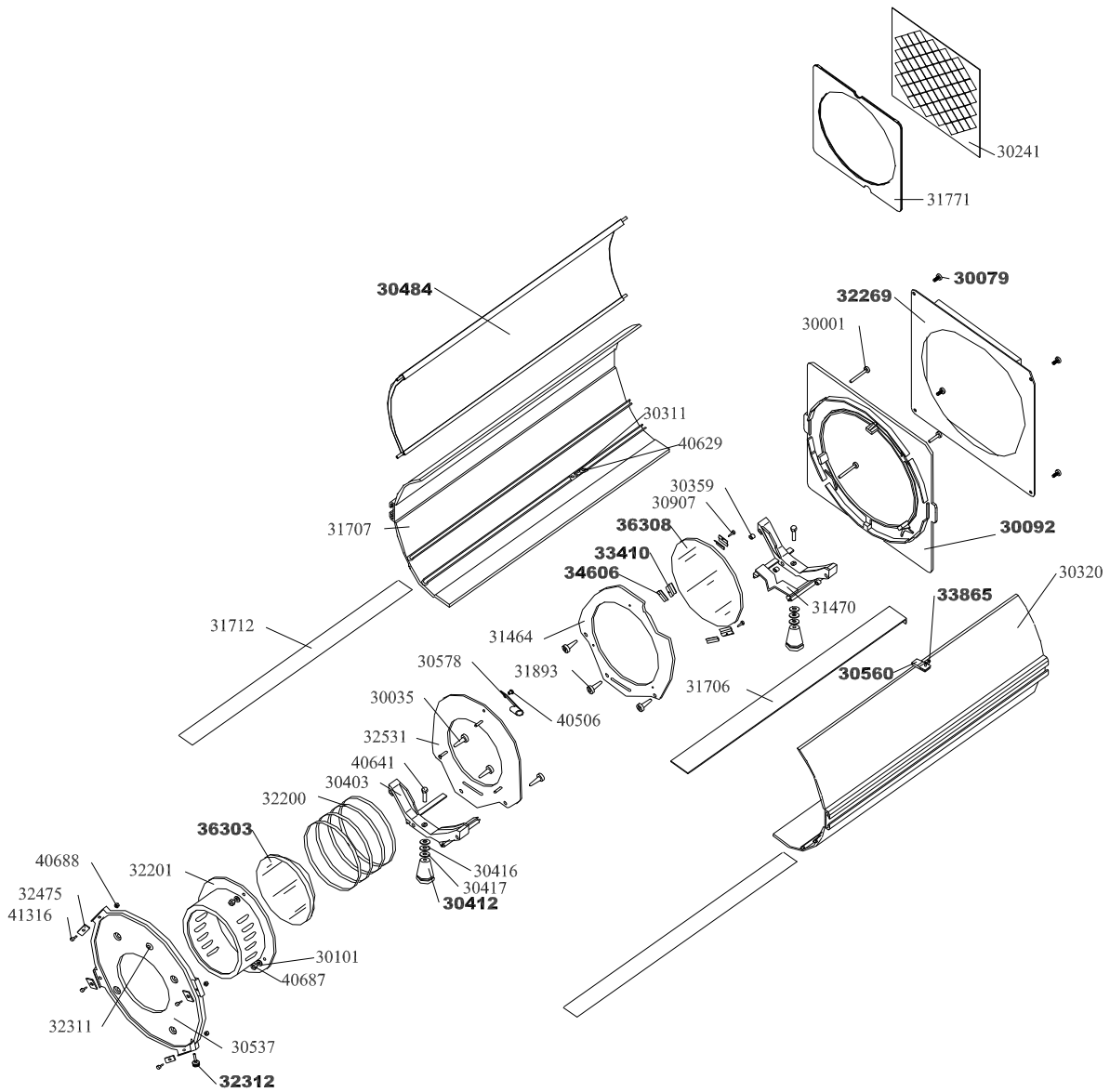
DVW 205

| Code | Description | |
|-------------|------------------------------|--|
| 30079 | TCC M4x10 black screw | |
| 30092 | 2 kW cassette | |
| 30178 | Lense tube front door | |
| 30412 | Focus knob | |
| 30560 | Door latch | |
| 32269 | New cassette | |
| 32312 | Rotation control knob | |
| 33865 | Fixing screw for door latch | |
| 36302 | Zoom PC lens Ø114.3 / RC150 | |
| 36303 | Zoom PC lens Ø114.3 / RC163 | |
| 36304 | Zoom PC lens Ø114.3 / RC216 | |
| 1001.31.912 | Old cassette replacement kit | |

(a): Minimum order quantity = 10pcs.

Note: all lenses with anti-reflection coating.

DN 205



Distributed by AMLUX srl, 46042, Castel Goffredo (MN), info@amlux.it, www.amlux.it

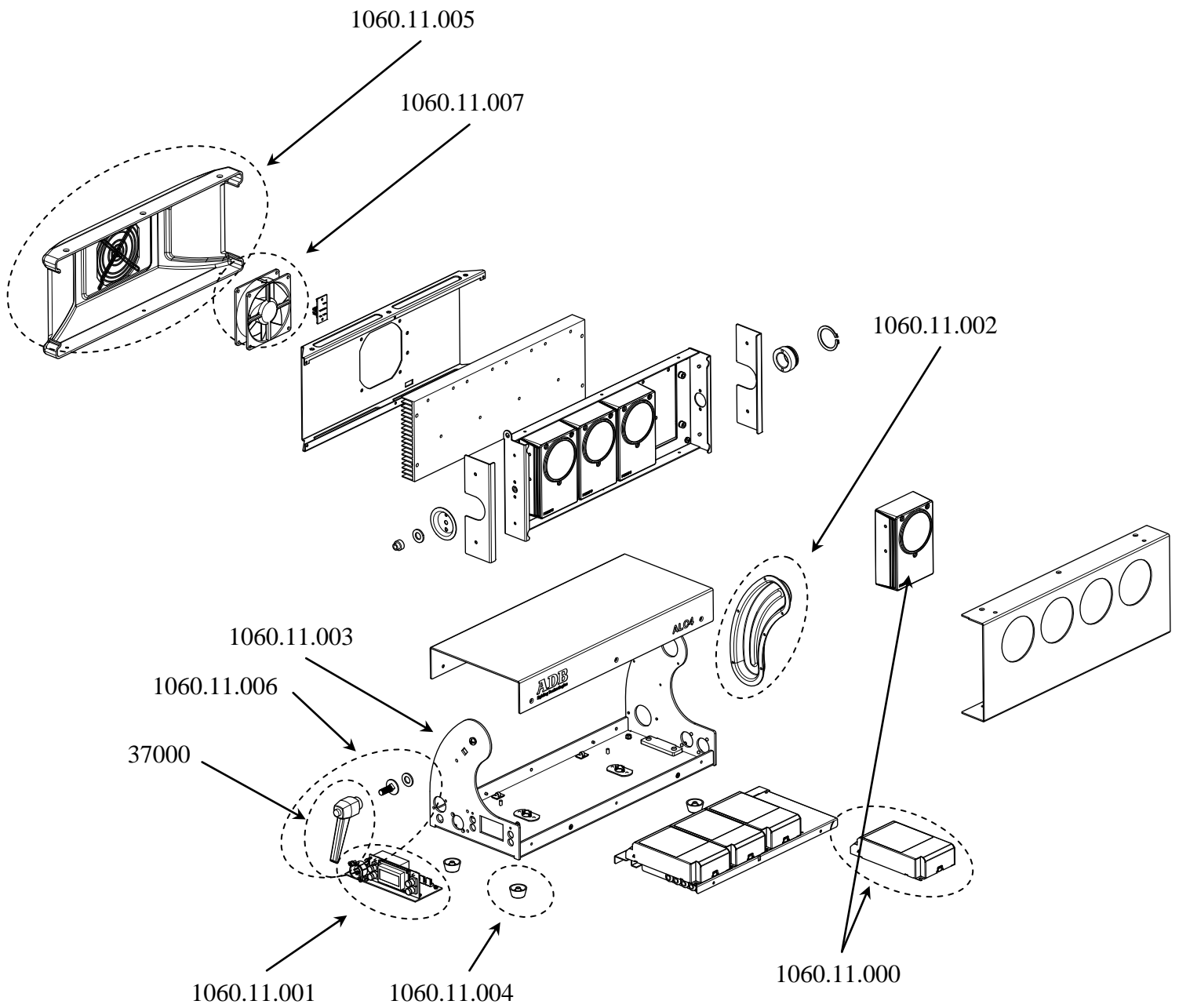
DN 205

| Code | Description | |
|-------------|------------------------------|--|
| 30079 | TCC M4x10 black screw | |
| 30092 | 2 kW cassette | |
| 30412 | Focus knob | |
| 30484 | Lens tube door | |
| 30560 | Door latch | |
| 32269 | New cassette | |
| 32312 | Rotation control knob | |
| 33410 | Lens fastener | |
| 33865 | Fixing screw for door latch | |
| 34606 | I shape lens joint | |
| 36303 | Zoom PC lens Ø114.3 / RC163 | |
| 36308 | Zoom PC lens Ø203 / RC245 | |
| 1001.31.911 | Old cassette replacement kit | |

(a): Minimum order quantity = 10pcs.

Note: all lenses with anti-reflection coating.

ALC4



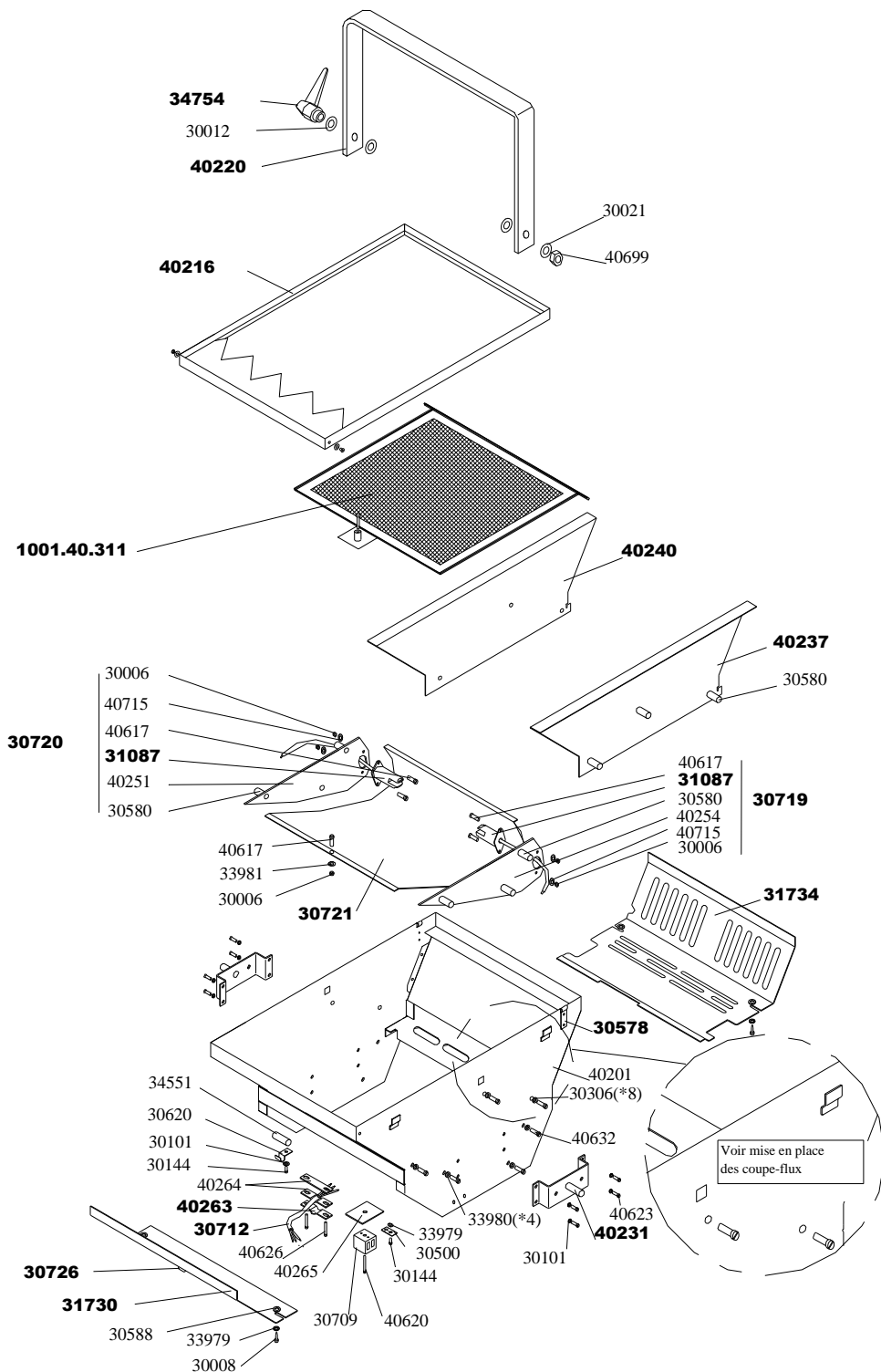
Distributed by AMLUX srl, 46042, Castel Goffredo (MN), info@amlux.it, www.amlux.it

ALC4

| Code | Description | |
|-------------|------------------------------|--|
| 37000 | Yoke handle | |
| 1060.11.000 | Module LED & Driver kit | |
| 1060.11.001 | Electronic circuit kit | |
| 1060.11.002 | Protective cover kit | |
| 1060.11.003 | Yoke kit | |
| 1060.11.004 | Rubber Foot kit | |
| 1060.11.005 | Ventilation cover kit | |
| 1060.11.006 | Handle kit | |
| 1060.11.007 | Fan kit | |
| 1060.11.010 | Tool kit for software update | |

Distributed by AMLUX srl, 46042, Castel Goffredo (MN), info@amlux.it, www.amlux.it

ACP 1001



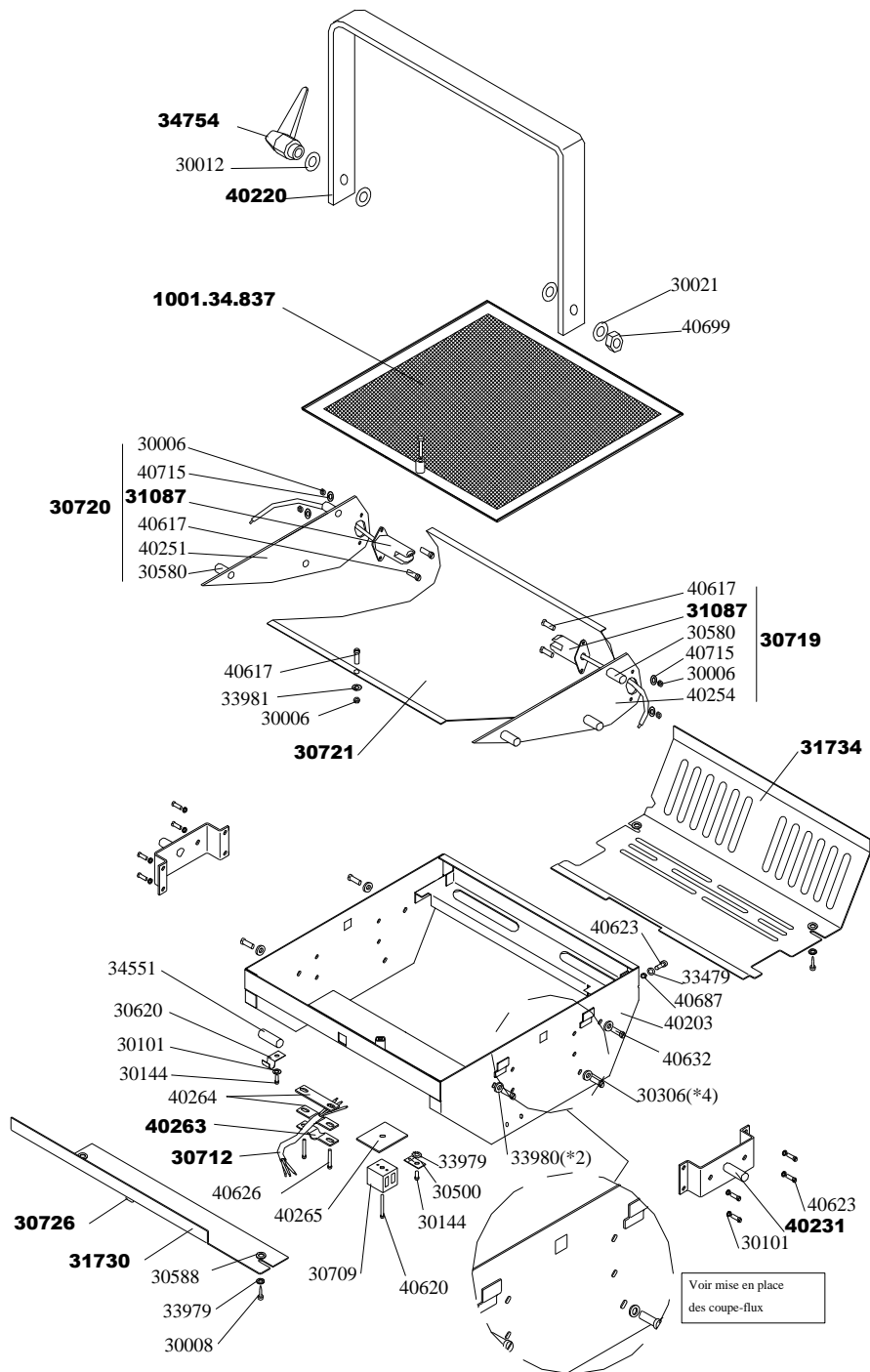
Distributed by AMLUX srl, 46042, Castel Goffredo (MN), info@amlux.it, www.amlux.it

ACP 1001

| Code | Description | |
|-------------|-----------------------|--|
| 30578 | Filter frame spring | |
| 30712 | Power supply cable | |
| 30719 | Left mirror kit | |
| 30720 | Right mirror kit | |
| 30721 | Back reflector | |
| 30726 | Grommet | |
| 31087 | R7S lampholder | |
| 31730 | Endplate | |
| 31734 | Protection cover | |
| 34754 | Clutch release handle | |
| 40216 | Filter frame | |
| 40220 | Yoke | |
| 40231 | Yoke fixing bracket | |
| 40237 | Upper left reflector | |
| 40240 | Upper right reflector | |
| 40263 | Cable gland | |
| 1001.40.311 | 3 mm safety grid | |

Distributed by AMLUX srl, 46042, Castel Goffredo (MN), info@amlux.it, www.amlux.it

ACV 1001



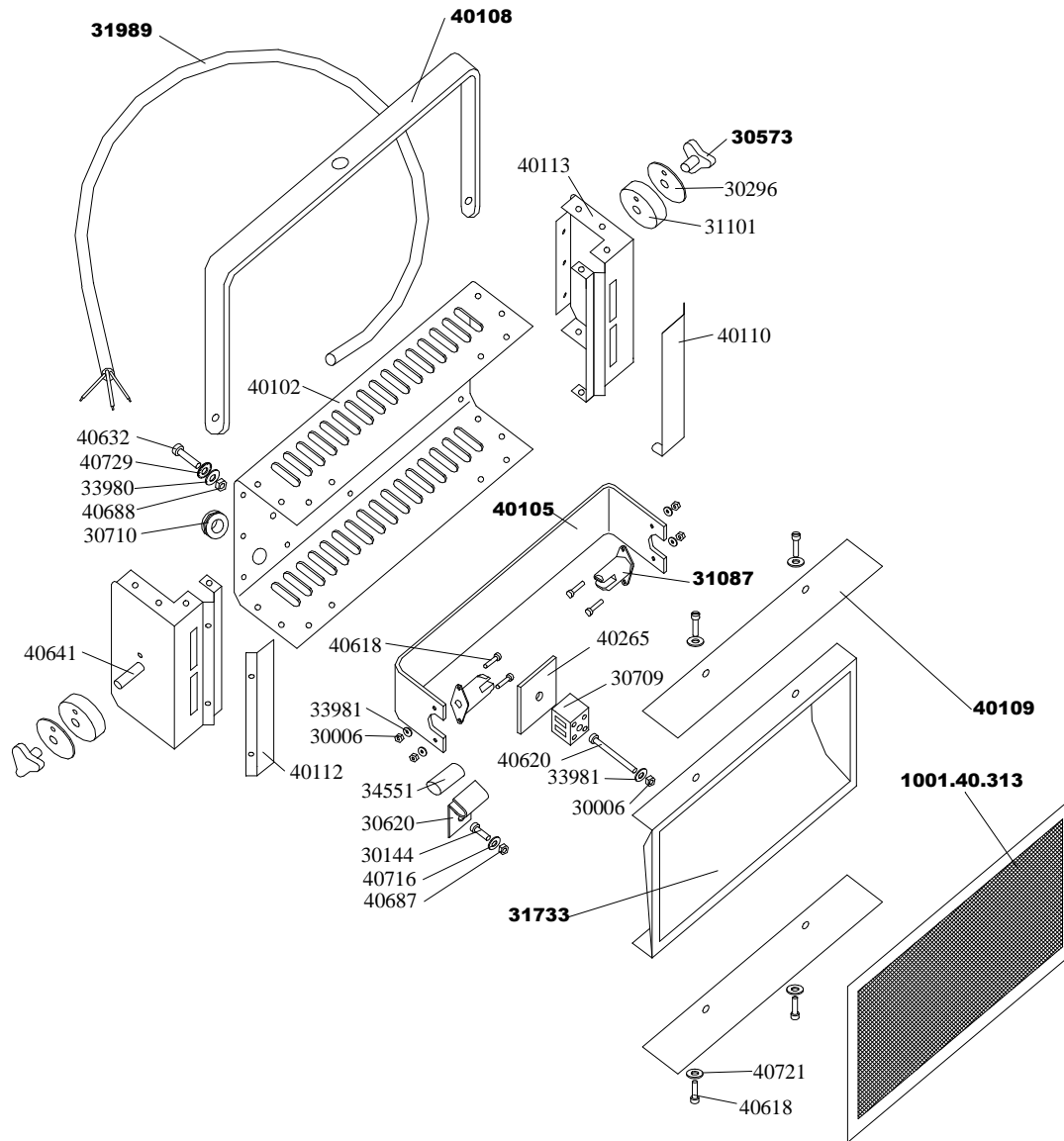
Distributed by AMLUX srl, 46042, Castel Goffredo (MN), info@amlux.it, www.amlux.it

ACV 1001

| Code | Description | |
|-------------|-----------------------|--|
| 30712 | Power supply cable | |
| 30719 | Left mirror kit | |
| 30720 | Right mirror kit | |
| 30721 | Back reflector | |
| 30726 | Grommet | |
| 31087 | R7S lampholder | |
| 31730 | Endplate | |
| 31734 | Protection cover | |
| 34754 | Clutch release handle | |
| 40220 | Yoke | |
| 40231 | Yoke fixing bracket | |
| 40263 | Cable gland | |
| 1001.34.837 | 3 mm safety grid | |

Distributed by AMLUX srl, 46042, Castel Goffredo (MN), info@amlux.it, www.amlux.it

LF 1000



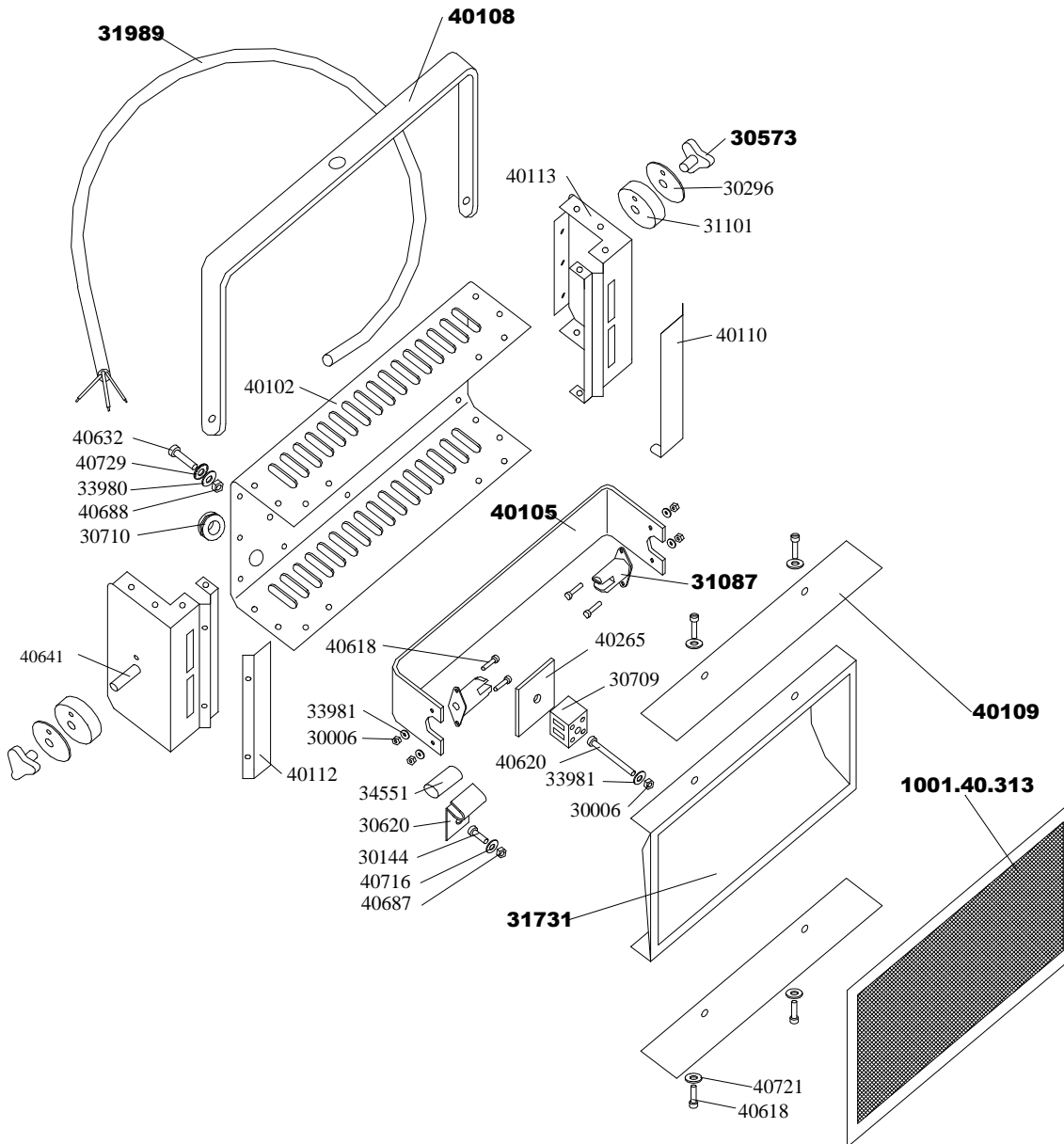
Distributed by AMLUX srl, 46042, Castel Goffredo (MN), info@amlux.it, www.amlux.it

LF 1000

| Code | Description | |
|-------------|----------------------|--|
| 30573 | Yoke clamping knob | |
| 31087 | R7S lampholder | |
| 31733 | Reflector | |
| 31989 | Power supply cable | |
| 40105 | Lampholders' support | |
| 40108 | Yoke | |
| 40109 | Grid holding plate | |
| 1001.40.313 | 3 mm safety grid | |

Distributed by AMLUX srl, 46042, Castel Goffredo (MN), info@amlux.it, www.amlux.it

HF 1000



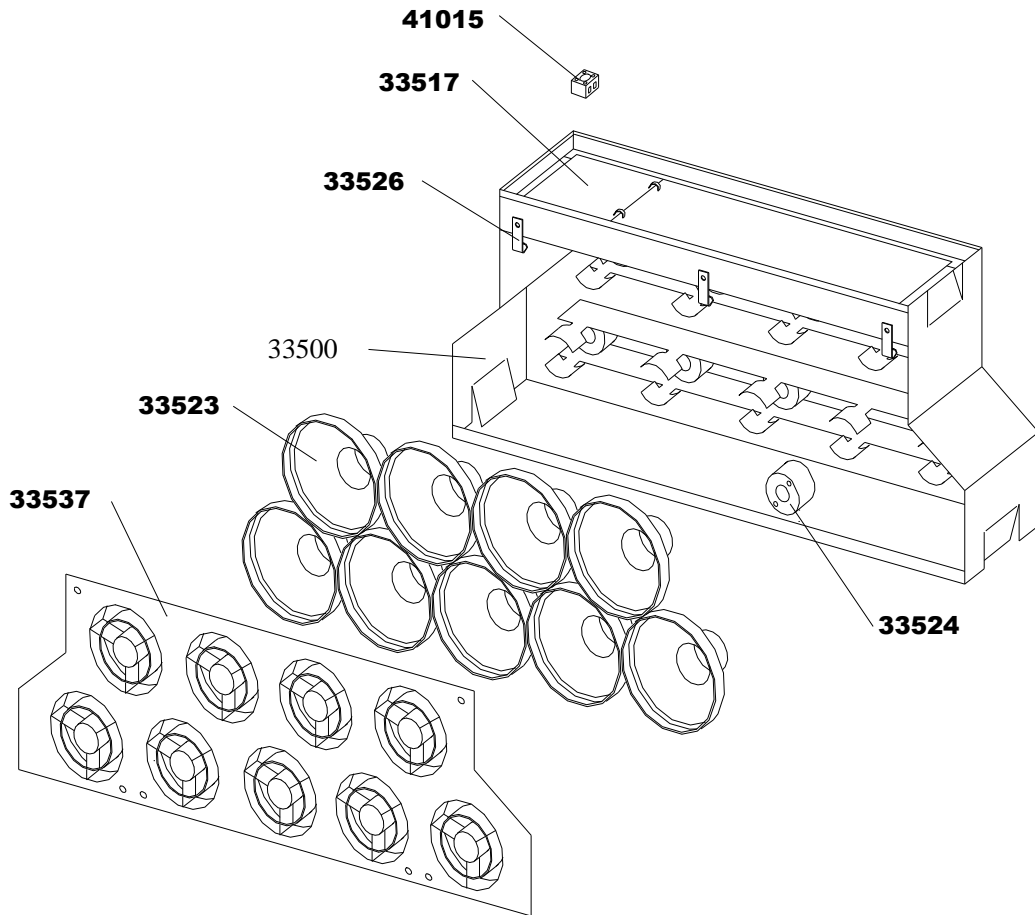
Distributed by AMLUX srl, 46042, Castel Goffredo (MN), info@amlux.it, www.amlux.it

HF 1000

| Code | Description | |
|-------------|----------------------|--|
| 30573 | Yoke clamping knob | |
| 31087 | R7S lampholder | |
| 31731 | Reflector | |
| 31989 | Power supply cable | |
| 40105 | Lampholders' support | |
| 40108 | Yoke | |
| 40109 | Grid holding plate | |
| 1001.40.313 | 3 mm safety grid | |

Distributed by AMLUX srl, 46042, Castel Goffredo (MN), info@amlux.it, www.amlux.it

HT 2251



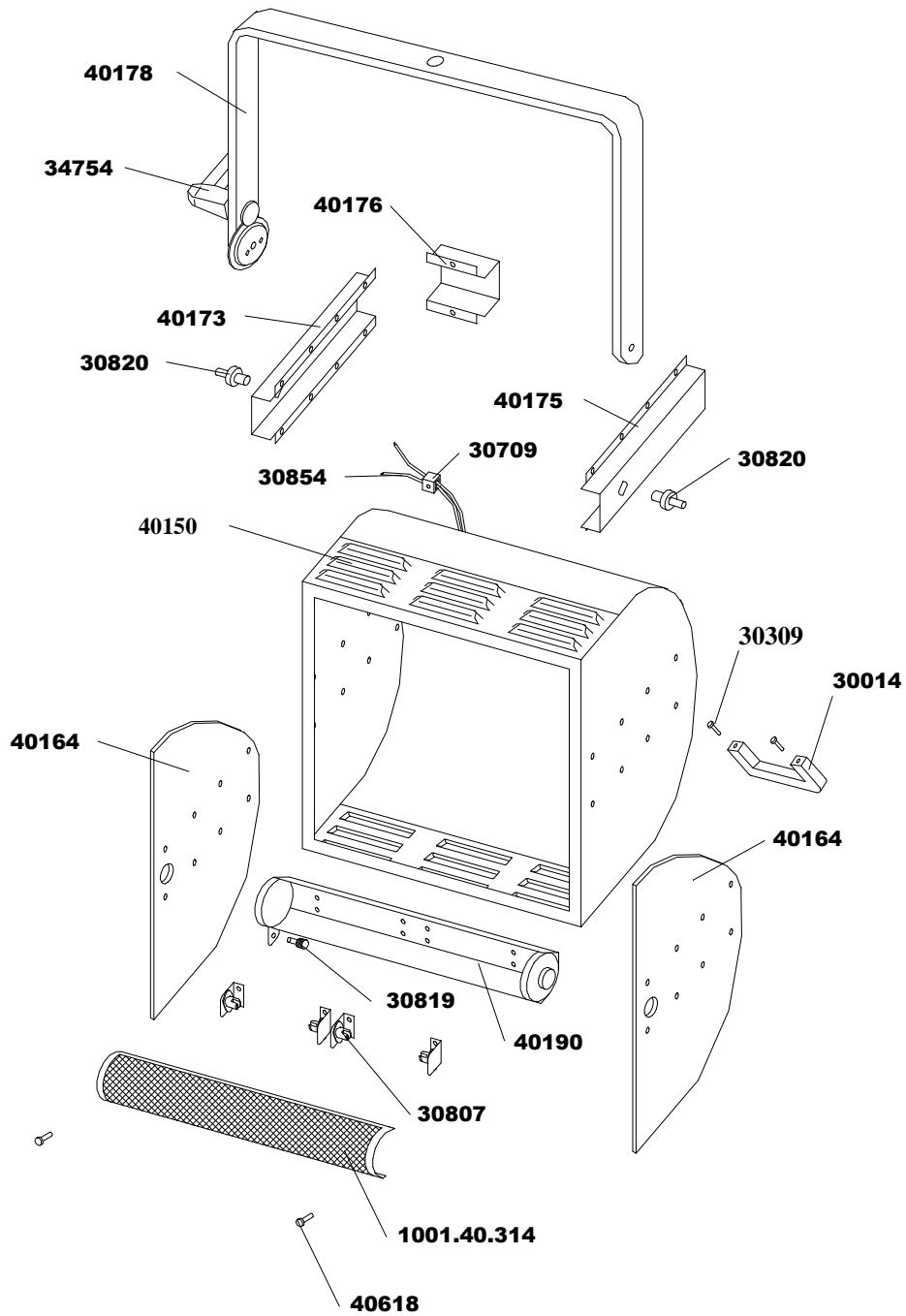
Distributed by AMLUX srl, 46042, Castel Goffredo (MN), info@amlux.it, www.amlux.it

HT 2251

| Code | Description | |
|-------|-------------------------|--|
| 33517 | Terminal access door | |
| 33523 | Parabolic reflector | |
| 33524 | E40 lampholder | |
| 33526 | Closing spring | |
| 33537 | Light beam concentrator | |
| 41015 | BK3E terminal | |

Distributed by AMLUX srl, 46042, Castel Goffredo (MN), info@amlux.it, www.amlux.it

RAH 2502



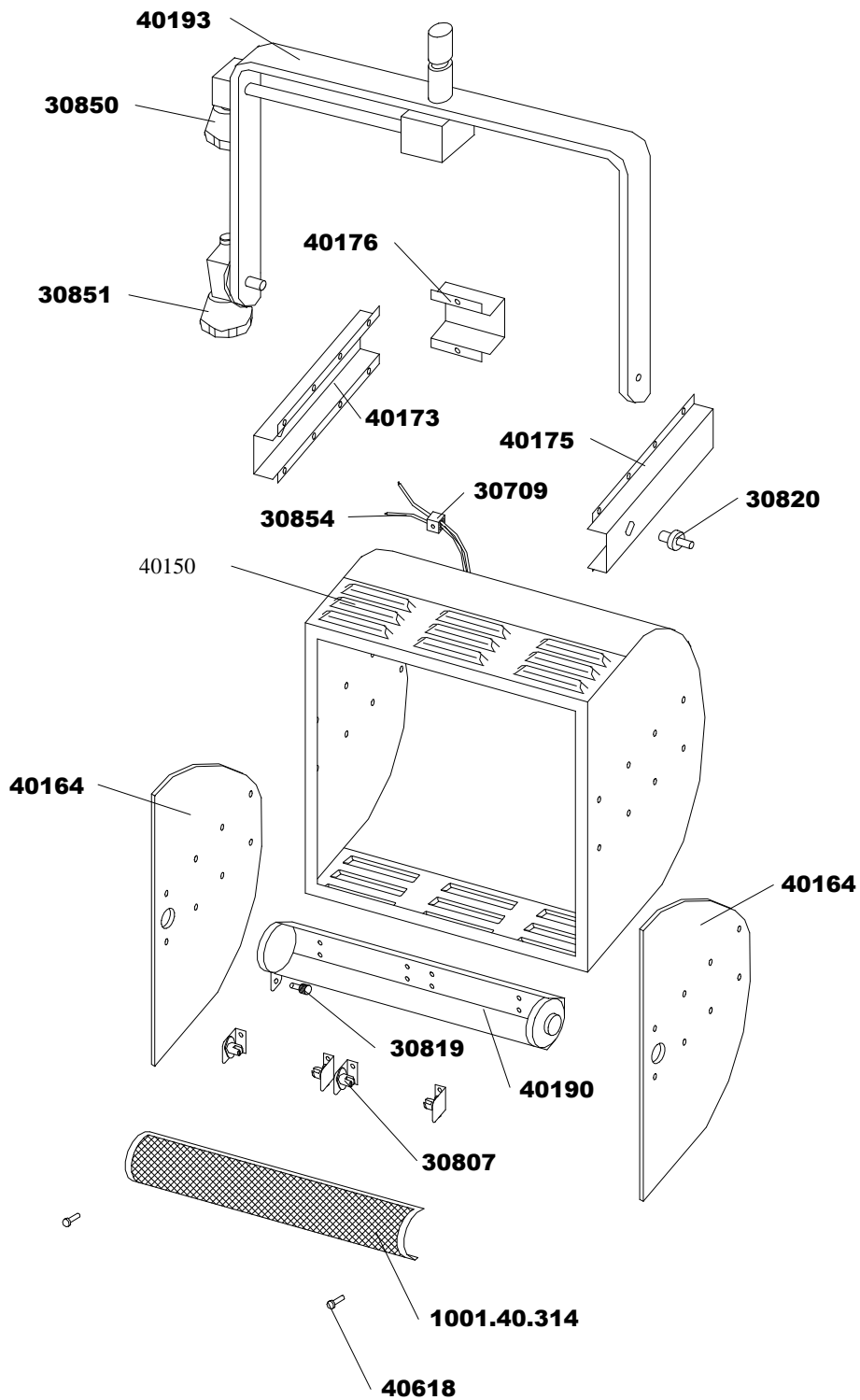
Distributed by AMLUX srl, 46042, Castel Goffredo (MN), info@amlux.it, www.amlux.it

RAH 2502

| Code | Description | |
|-------------|---------------------------|--|
| 30014 | Grab handle | |
| 30709 | Terminal | |
| 30807 | R7S lampholder | |
| 30819 | Knurled screw | |
| 30820 | Yoke spigot | |
| 30852 | Safety grid (old version) | |
| 30854 | Power supply cable | |
| 34754 | Clutch release handle | |
| 40164 | Right or left reflector | |
| 40173 | Right side reinforcement | |
| 40175 | Left side reinforcement | |
| 40176 | Terminal cover | |
| 40178 | Yoke | |
| 40190 | Lamp housing subassembly | |
| 40618 | TCF M3x10 screw | |
| 1001.40.314 | 3 mm safety grid | |

(a): Minimum order quantity = 10pcs.

RAP 2502



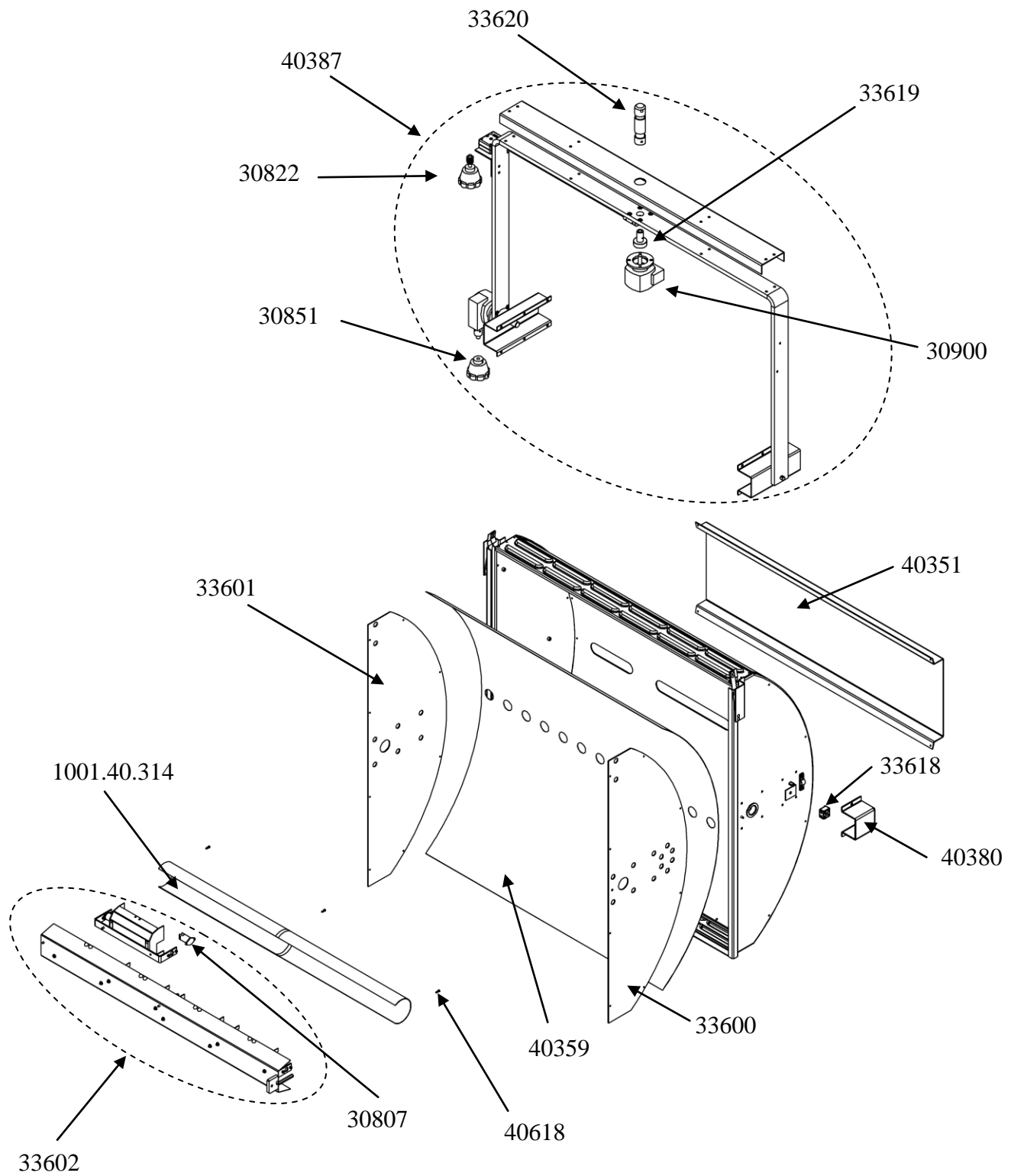
Distributed by AMLUX srl, 46042, Castel Goffredo (MN), info@amlux.it, www.amlux.it

RAP 2502

| Code | Description | |
|-------------|--------------------------------|--|
| 30709 | Terminal | |
| 30807 | R7S lampholder | |
| 30819 | Knurled screw | |
| 30820 | Yoke spigot | |
| 30850 | Blue cup | |
| 30851 | White cup | |
| 30852 | Safety grid (old version) | |
| 30854 | Power supply cable | |
| 40164 | Right or left reflector | |
| 40173 | Right side reinforcement | |
| 40175 | Left side reinforcement | |
| 40176 | Terminal cover | |
| 40190 | Lamp housing subassembly | |
| 40193 | Pole operated yoke subassembly | |
| 40618 | TCF M3x10 screw | |
| 1001.40.314 | 3 mm safety grid | |

(a): Minimum order quantity = 10pcs.

RAP 5001



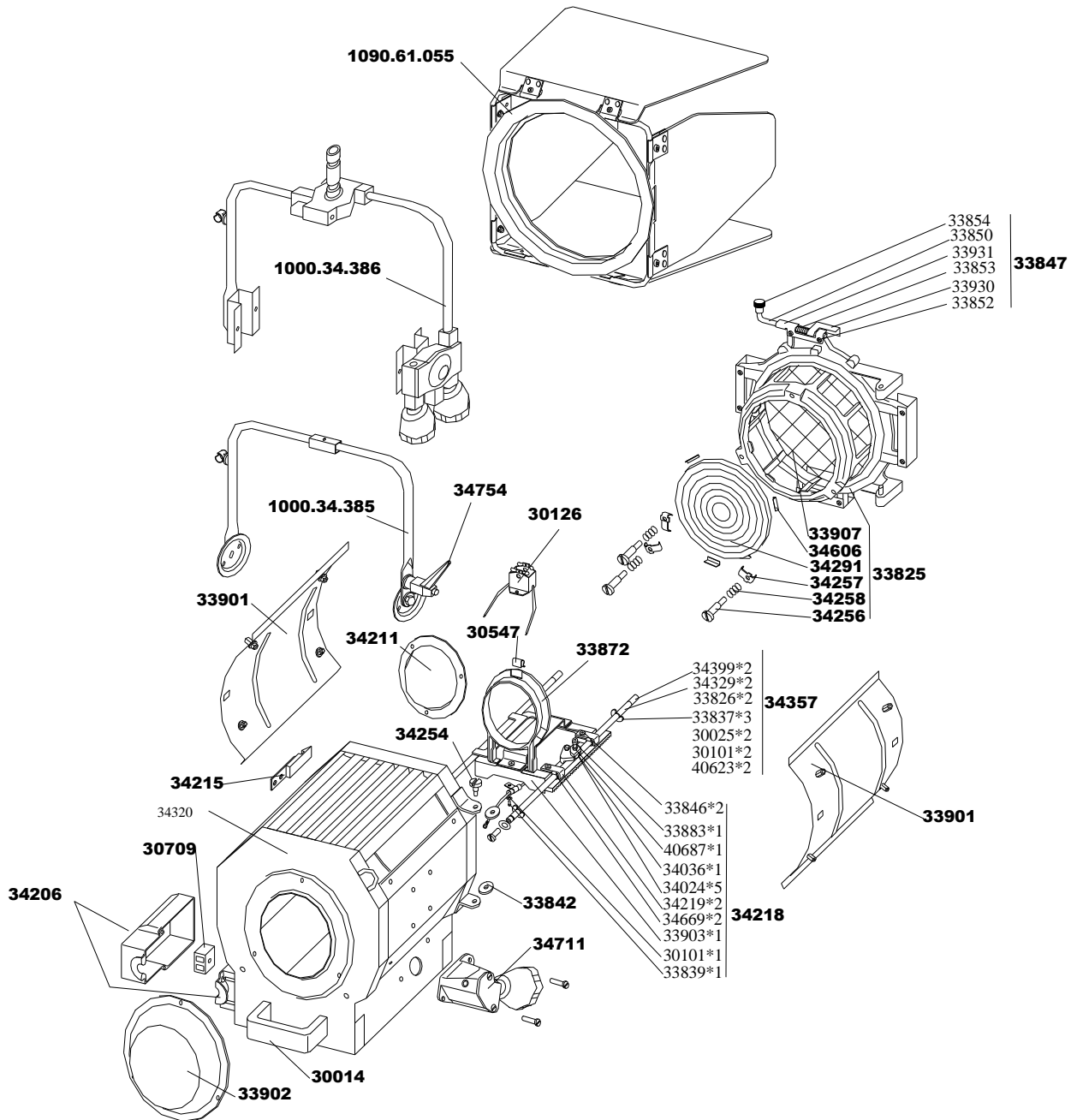
Distributed by AMLUX srl, 46042, Castel Goffredo (MN), info@amlux.it, www.amlux.it

RAP 5001

| Code | Description | |
|-------------|--------------------------------|--|
| 30807 | R7S lampholder | |
| 30822 | Blue cup assembly | |
| 30851 | White cup | |
| 30900 | Reduction gear | |
| 33600 | Right reflector | |
| 33601 | Left reflector | |
| 33602 | Lamp housing subassembly | |
| 33607 | Junction block | |
| 33618 | Terminal | |
| 33619 | Gear coupling | |
| 33620 | Yoke spigot | |
| 40351 | Central reinforcement | |
| 40359 | Back reflector | |
| 40380 | Terminal cover | |
| 40387 | Pole operated yoke subassembly | |
| 40618 | TCF M3x10 screw | |
| 1001.40.314 | 3 mm safety grid | |

(a): Minimum order quantity = 10pcs.

TV Fresnel 1 kW



Distributed by AMLUX srl, 46042, Castel Goffredo (MN), info@amlux.it, www.amlux.it

TV Fresnel 1 kW

| Code | Description | |
|-------------|----------------------------------|--|
| 30014 | Grab handle | |
| 30126 | GX 9.5 lampholder | |
| 30547 | Reflector mounting clip | |
| 30709 | Terminal | |
| 33825 | Front door subassembly | |
| 33842 | Teflon washer | |
| 33847 | Barndoor locking system | |
| 33872 | Reflector holder | |
| 33901 | Internal cover plate | |
| 33902 | Backplate | |
| 33907 | Safety grid | |
| 34206 | Subassembly terminal box + cover | |
| 34211 | Reflector | |
| 34213 | Pole operated ON-OFF switch | |
| 34215 | Door latch | |
| 34218 | Lamp tray | |
| 34236 | Spring | |
| 34254 | Upper door pivot | |
| 34256 | Lens clamping pin | |
| 34257 | Lens clamping claw | |
| 34258 | Compression spring | |
| 34291 | Fresnel lens Ø175 / F120 | |
| 34357 | Guiding rod kit | |
| 34606 | I shape lens joint | |
| 34711 | Focusing system kit | |
| 34754 | Clutch release handle | |
| 1000.34.385 | Assembled hand operated yoke | |
| 1000.34.386 | Pole operated yoke subassembly | |
| 1090.61.055 | Rotatable 4-leaf barndoor | |

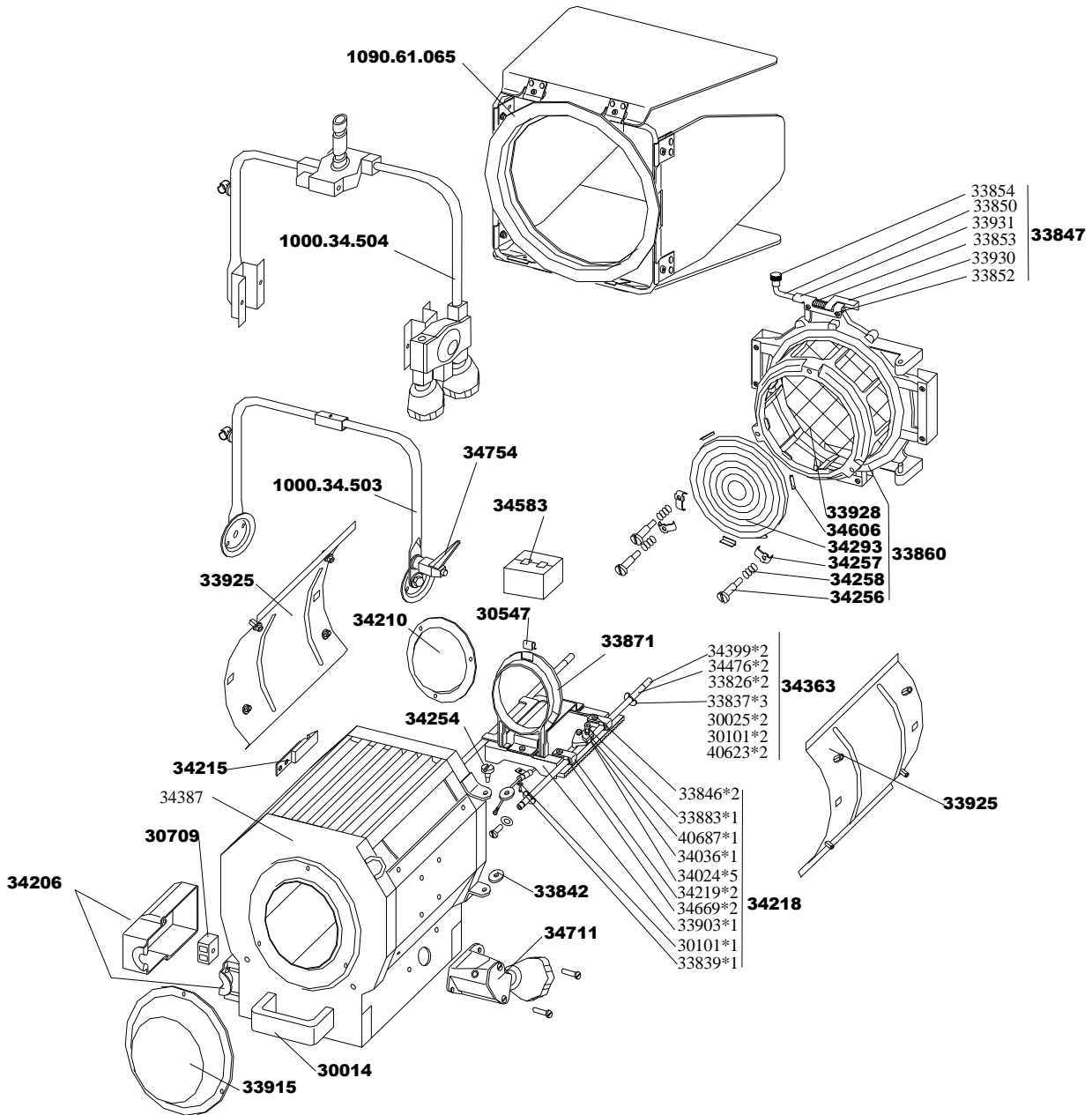
Distributed by AMLUX srl, 46042, Castel Goffredo (MN), info@amlux.it, www.amlux.it

TV Fresnel 2 kW

| Code | Description | |
|-------------|----------------------------------|--|
| 30014 | Grab handle | |
| 30222 | GY16 lampholder | |
| 30547 | Reflector mounting clip | |
| 30709 | Terminal | |
| 33842 | Teflon washer | |
| 33847 | Barndoor locking system | |
| 33858 | G22 lampholder | |
| 33859 | Front door subassembly | |
| 33871 | Reflector support | |
| 33914 | Internal cover plate | |
| 33915 | Backplate | |
| 33918 | Safety grid | |
| 34206 | Subassembly terminal box + cover | |
| 34210 | Reflector | |
| 34213 | Pole operated ON-OFF switch | |
| 34215 | Door latch | |
| 34218 | Lamp tray | |
| 34236 | Spring | |
| 34254 | Upper door pivot | |
| 34256 | Lens clamping pin | |
| 34257 | Lens clamping claw | |
| 34258 | Compression spring | |
| 34292 | Fresnel lens Ø250 / F150 | |
| 34363 | Guiding rod kit | |
| 34606 | I shape lens joint | |
| 34711 | Focusing system kit | |
| 34754 | Clutch release handle | |
| 1000.34.391 | Pole operated yoke subassembly | |
| 1000.34.392 | Assembled hand operated yoke | |
| 1090.61.060 | Rotatable 4-leaf barndoor | |

Distributed by AMLUX srl, 46042, Castel Goffredo (MN), info@amlux.it, www.amlux.it

TV Fresnel 5 kW



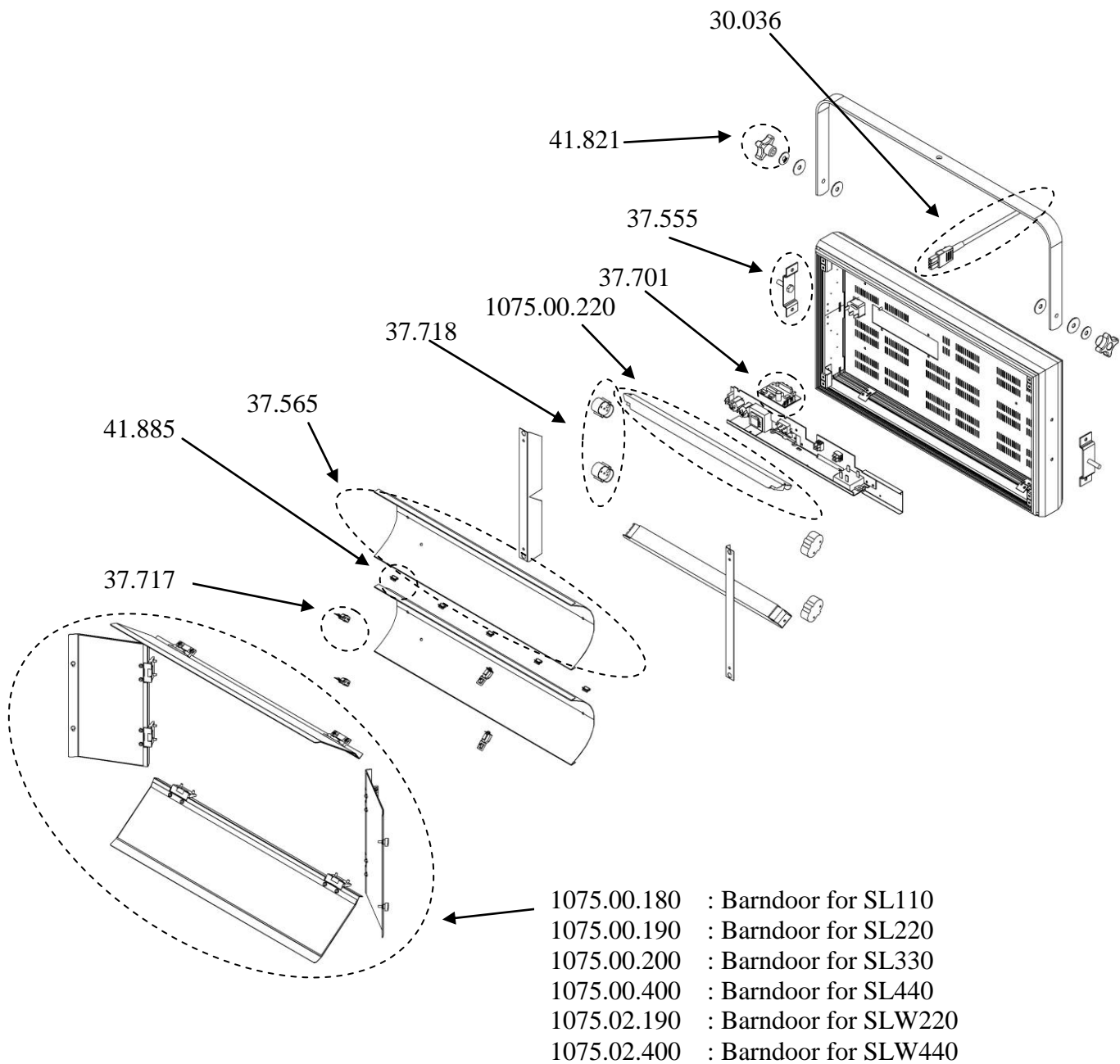
Distributed by AMLUX srl, 46042, Castel Goffredo (MN), info@amlux.it, www.amlux.it

TV Fresnel 5 kW

| Code | Description | |
|-------------|--------------------------------------|--|
| 30014 | Grab handle | |
| 30547 | Reflector mounting clip | |
| 30709 | Terminal | |
| 31476 | Gx38q lampholder for bifilament lamp | |
| 33842 | Teflon washer | |
| 33847 | Barndoor locking system | |
| 33860 | Front door subassembly | |
| 33871 | Reflector support | |
| 33915 | Backplate | |
| 33925 | Internal cover plate | |
| 33928 | Safety grid | |
| 33949 | Pole operated ON-OFF switch | |
| 33959 | ON-OFF switch for bifilament lamp | |
| 34206 | Subassembly terminal box + cover | |
| 34210 | Reflector | |
| 34215 | Door latch | |
| 34218 | Lamp tray | |
| 34236 | Spring | |
| 34254 | Upper door pivot | |
| 34256 | Lens clamping pin | |
| 34257 | Lens clamping claw | |
| 34258 | Compression spring | |
| 34293 | Fresnel lens Ø300 / F150 | |
| 34363 | Guiding rod kit | |
| 34583 | G38 lampholder | |
| 34606 | I shape lens joint | |
| 34711 | Focusing system kit | |
| 34754 | Clutch release handle | |
| 1000.34.503 | Assembled hand operated yoke | |
| 1000.34.504 | Pole operated yoke subassembly | |
| 1090.61.065 | Rotatable 4-leaf barndoor | |

Distributed by **AMLUX srl, 46042, Castel Goffredo (MN), info@amlux.it, www.amlux.it**

SOFTLUX



Distributed by AMLUX srl, 46042, Castel Goffredo (MN), info@amlux.it, www.amlux.it

SOFTLUX

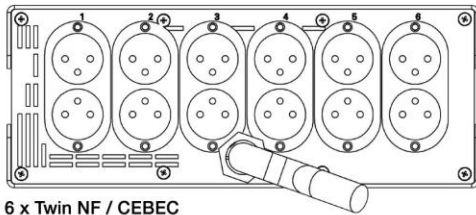
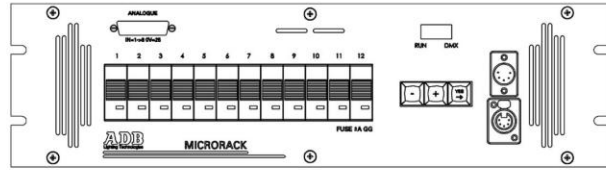
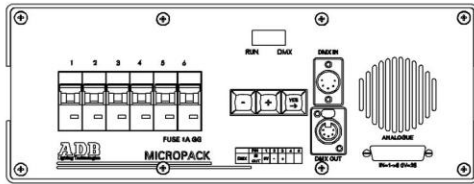
| Code | Description | |
|-------------|--|--|
| 30036 | 2m cable w/ CEE22 socket & no plug | |
| 37555 | Yoke reinforcement | |
| 37565 | Main reflector | |
| 37701 | DMX board | |
| 37717 | Lamp clip | |
| 37718 | Lampholder | |
| 41821 | Yoke handle | |
| 41885 | Reflector spring | |
| 1075.00.180 | 4-leaf reflector barndoor for SL110 | |
| 1075.00.190 | 4-leaf reflector barndoor for SL220 | |
| 1075.00.200 | 4-leaf reflector barndoor for SL330 | |
| 1075.00.400 | 4-leaf reflector barndoor for SL440 | |
| 1075.02.190 | 4-leaf black barndoor for SLW220 | |
| 1075.02.400 | 4-leaf black barndoor for SLW440 | |
| 1075.00.220 | Dimmable ballast for 55W lamp with DMX control | |

Distributed by AMLUX srl, 46042, Castel Goffredo (MN), info@amlux.it, www.amlux.it

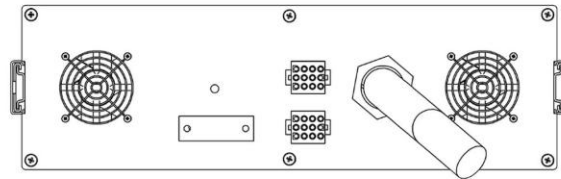
MICROPACK 15 / MICRORACK 25 front & rear panels

MIP15 / 6 x 2.3 kW

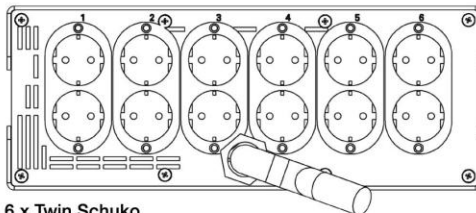
MIR25 / 12 x 2.3 kW



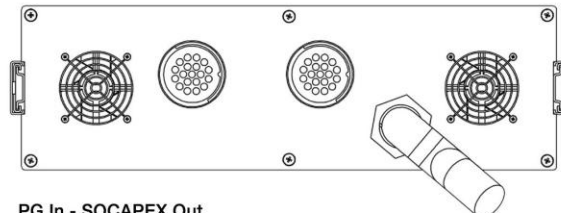
6 x Twin NF / CEPEC



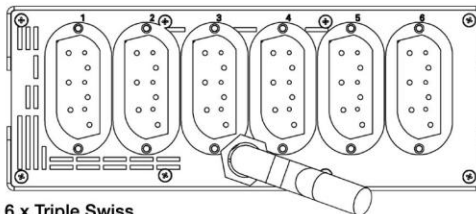
PG In - AMP Out



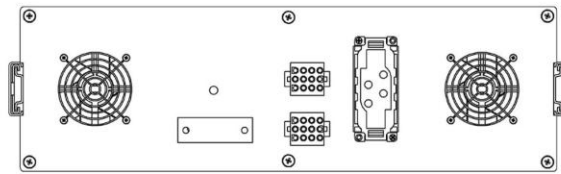
6 x Twin Schuko



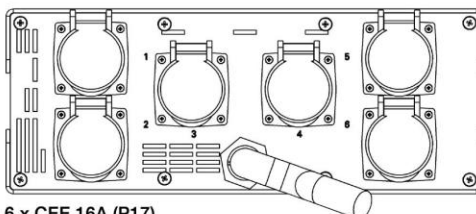
PG In - SOCAPEX Out



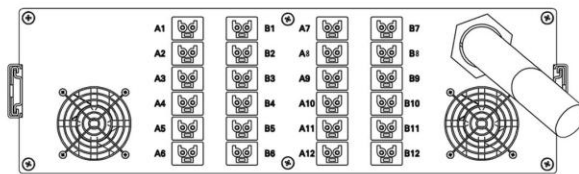
6 x Triple Swiss



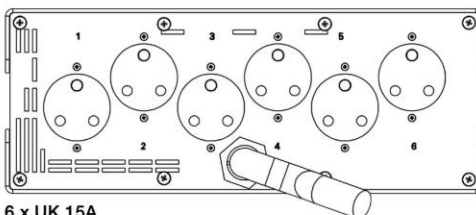
HARTING In - AMP Out



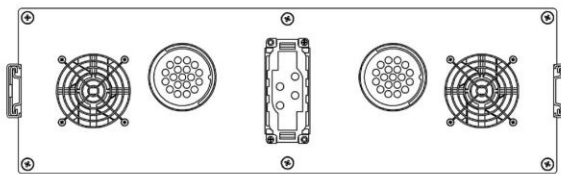
6 x CEE 16A (P17)



PG In - Twin Wieland Out



6 x UK 15A

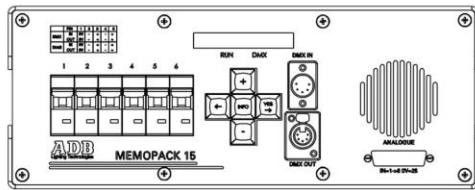


HARTING In - SOCAPEX Out

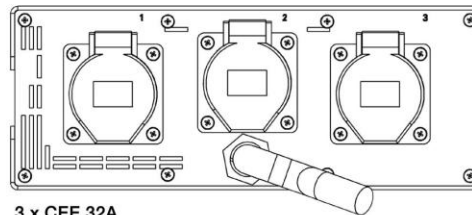
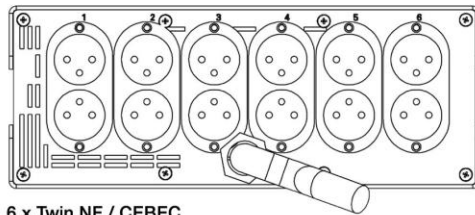
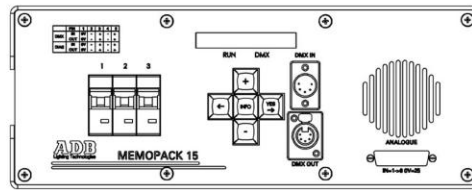
Distributed by AMLUX srl, 46042, Castel Goffredo (MN), info@amlux.it, www.amlux.it

MEMOPACK 15 front & rear panels

MP15 / 6 x 3 kW



MP15 / 3 x 5 kW



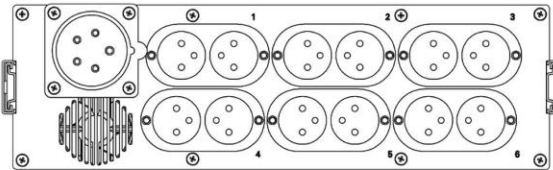
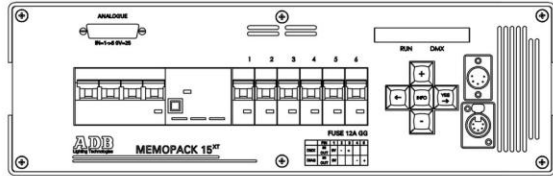
For other rear panels with twin Schuko, triple Swiss, CEE 16A and UK sockets, see MICROPACK.

Note : MEMOPACK 15 is no longer manufactured. It is replaced by MEMOPACK 15XT

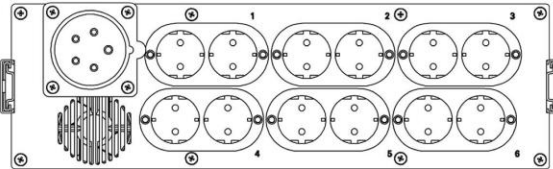
Distributed by AMLUX srl, 46042, Castel Goffredo (MN), info@amlux.it, www.amlux.it

MEMOPACK 15 XT / MEMORACK 15 front & rear panels with optional supply RCD protection

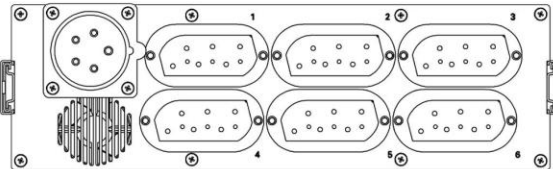
MP15XT / 6 x 3 kW



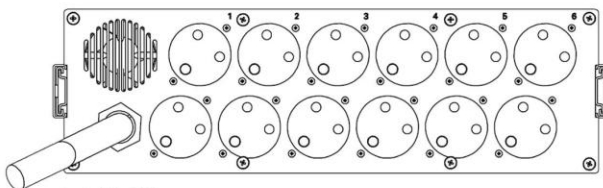
6 x Twin NF / CEBEC



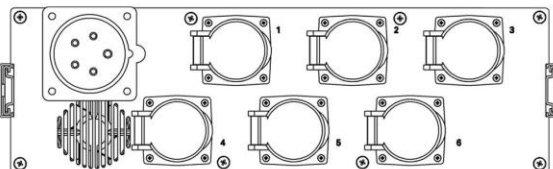
6 x Twin Schuko



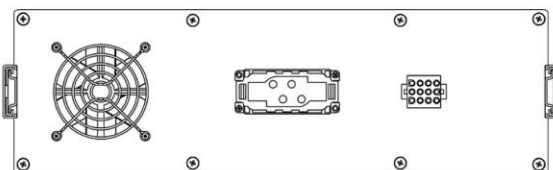
6 x Triple Swiss



6 x Twin UK

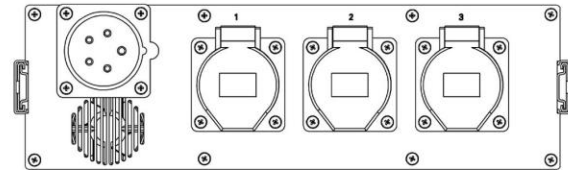
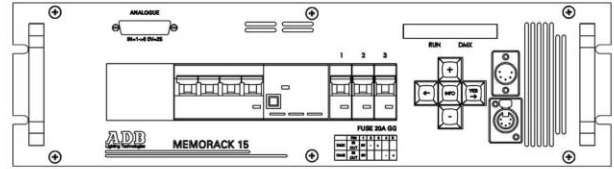


6 x CEE 16A (P17)

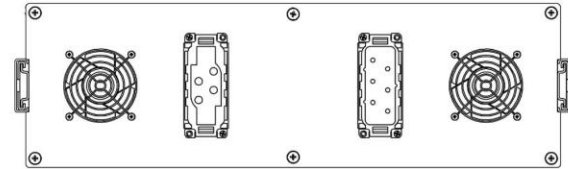


HARTING In - AMP Out

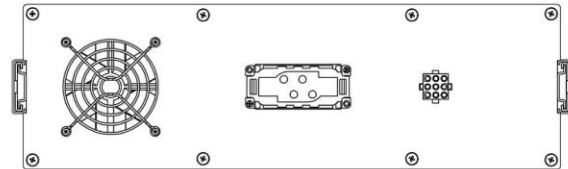
MR15 / 3 x 5 kW



3 x CEE 32A

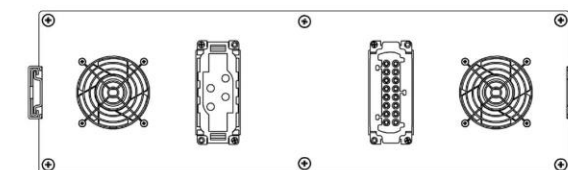


HARTING In & Out



HARTING In - AMP Out

6 x 3 kW



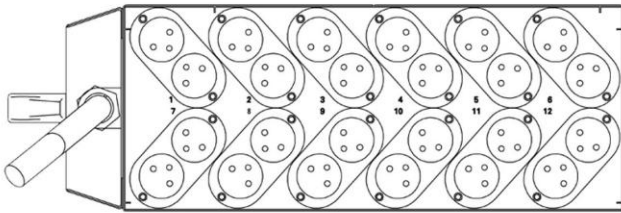
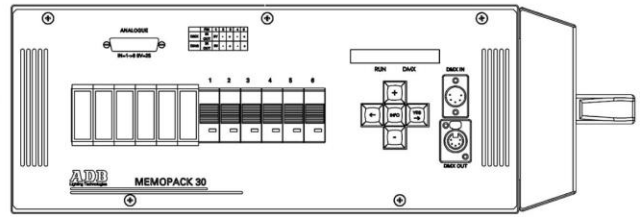
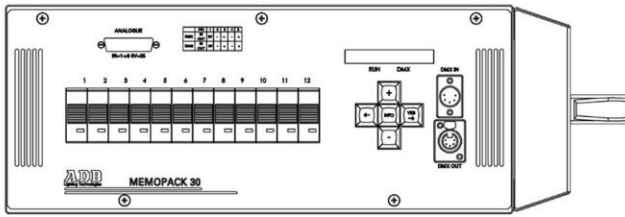
HARTING In & Out

Distributed by AMLUX srl, 46042, Castel Goffredo (MN), info@amlux.it, www.amlux.it

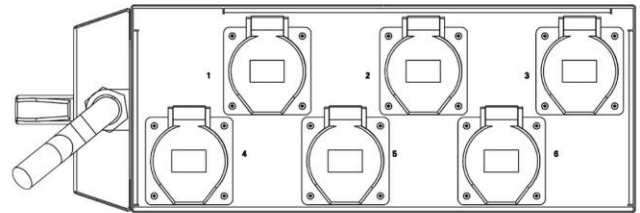
MEMOPACK 30 front & rear panels

MP30 / 12 x 3 kW

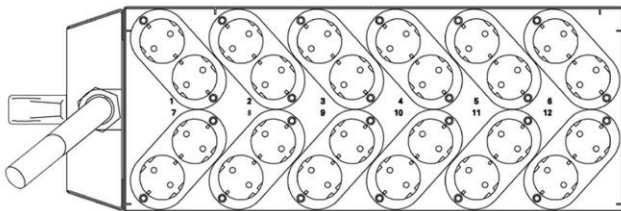
MP30 / 6 x 5 kW



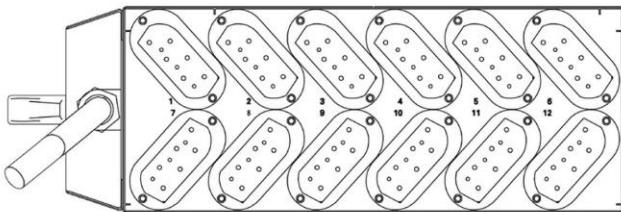
12 x Twin NF/CEBEC



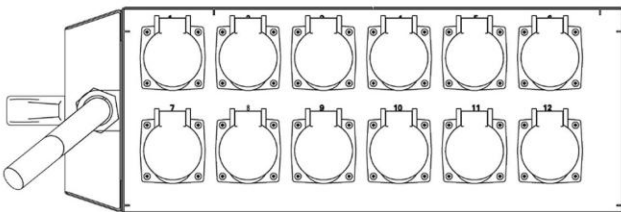
6 x CEE 32A



12 x Twin Schuko



12 x Triple Swiss

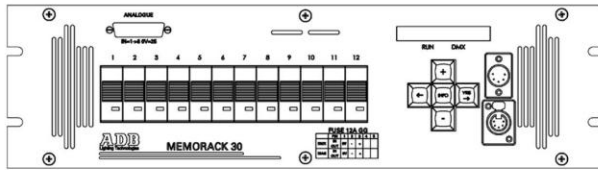


12 x CEE 16A (P17)

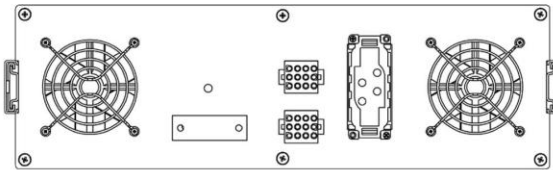
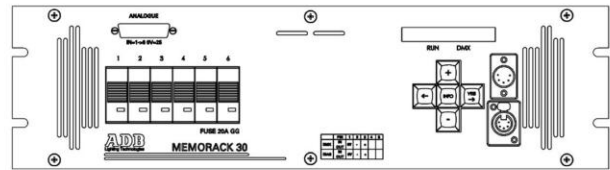
Distributed by AMLUX srl, 46042, Castel Goffredo (MN), info@amlux.it, www.amlux.it

MEMORACK 30 front & rear panels

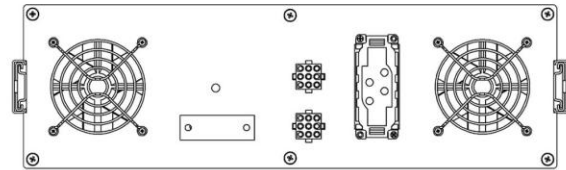
MR30 / 12 x 3 kW - DMX Front



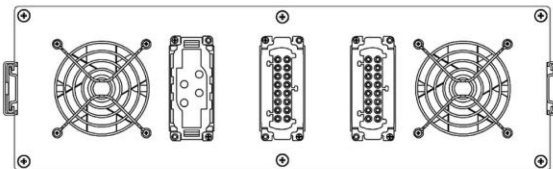
MR30 / 6 x 5 kW - DMX Front



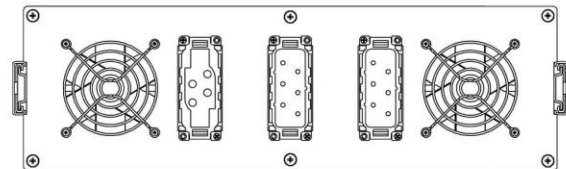
HARTING In - AMP Out



HARTING In - AMP Out

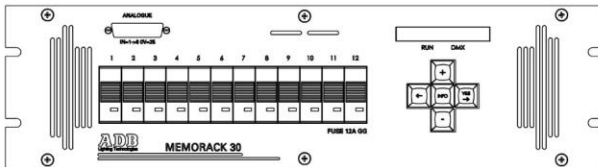


HARTING In & Out

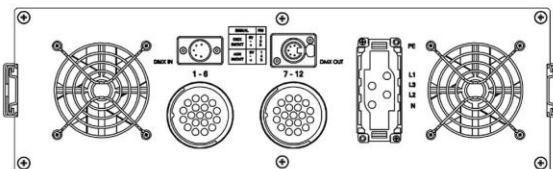
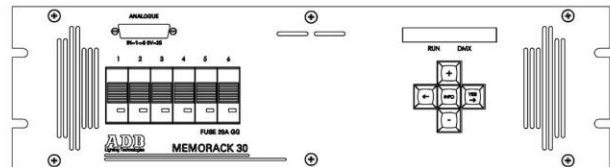


HARTING In & Out

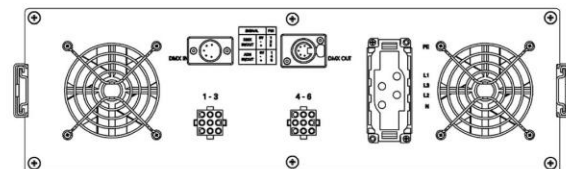
MR30 / 12 x 3 kW - DMX Rear



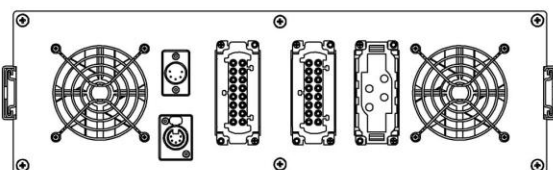
MR30 / 6 x 5 kW - DMX Rear



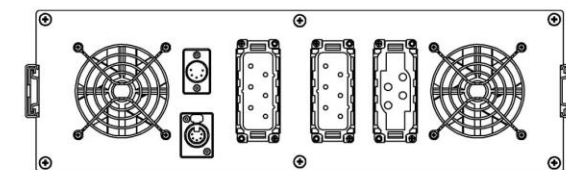
HARTING In - SOCAPEX Out



HARTING In - AMP Out



HARTING In & Out



HARTING In & Out

Distributed by AMLUX srl, 46042, Castel Goffredo (MN), info@amlux.it, www.amlux.it

MEMOPACK / MEMORACK

| Code | Description | |
|-------------|--------------------------------------|--|
| 1130.27.520 | PCB1404.0 6 x 3 kW power board | |
| 1130.27.521 | PCB1404.1 3 x 5 kW power board | |
| 1130.27.550 | PCB 1431 6 x 3 kW power board | |
| | Standard replacement | |
| 1131.01.010 | PCB 1336.1 6-channel analogue board | |
| 1131.01.020 | PCB 1336.2 12-channel analogue board | |
| 1131.01.030 | PCB 1336.3 24-channel analogue board | |
| | Standard replacement | |
| 1131.33.015 | PCB 1410.1 V.5 6-channel CPU board | |
| | Standard replacement | |
| 1131.33.050 | PCB 1410.5 V.5 12-channel CPU board | |
| | Standard replacement | |
| 1131.33.056 | PCB 1410.5 V.6 12-channel CPU board | |
| | Standard replacement | |
| 1131.39.610 | PCB 1431.1 3 x 5 kW power board | |
| | Standard replacement | |
| 1131.39.620 | PCB 1431.2 3 x 12 kW power board | |
| | Standard replacement | |
| 1139.98.020 | PCB 1333.2 front plate board | |
| | Standard replacement | |
| 32093 | AMP 12 x 3 kW male connector | |
| 32094 | 3 kW AMP male contact | |
| 39259 | 75176 B driver | |
| 6113.34.003 | Twin Schuko socket | |
| 6113.34.012 | Twin NF / CEBEC socket | |
| 6113.63.005 | CEE 32A socket | |
| 6113.63.045 | CEE 16A socket | |
| 6117.17.055 | AMP 12 x 3 kW connector socket | |
| 6117.17.060 | AMP 9 x 5 kW male connector | |
| 6117.17.065 | AMP 9 x 5 kW connector socket | |

Distributed by AMLUX srl, 46042, Castel Goffredo (MN), info@amlux.it, www.amlux.it

MEMOPACK / MEMORACK

| Code | Description | |
|-------------|---|--|
| 6117.17.080 | 5 kW AMP male contact | |
| 6117.17.085 | 5 kW AMP female contact | |
| 6117.17.095 | 3 kW AMP female contact | |
| 6130.99.515 | CPU fuse holder | |
| 6136.10.045 | Airpax 66F060 thermostat | |
| 6300.00.505 | 2 X 0-9V 0.1A + 1 x 0-9V 1A transformer | |
| 6302.09.020 | IT 153 Schaffner transformer | |
| 6351.84.345 | BTW 68-1200 3 Kw thyristor | |
| 6351.85.200 | MSS 50-800 5 Kw thyristor for PCB 1431 / 1404 | |
| 7074.10.035 | Sunon 12V fan | |
| 7074.10.065 | Papst 12V fan for MP/MR30 | |
| 7074.10.070 | SUNON 12V fan | |

Distributed by AMLUX srl, 46042, Castel Goffredo (MN), info@amlux.it, www.amlux.it

MICROPACK / MICRORACK

| Code | Description | |
|-------------|--|--|
| 1131.01.010 | PCB 1336.1 6-channel analogue board | |
| 1131.01.020 | PCB 1336.2 12-channel analogue board | |
| 1131.02.000 | PCB 1337.0 CPU board for MICROPACK | |
| 1131.02.040 | PCB 1337.4 CPU board for MICRORACK | |
| 1131.33.025 | PCB 1410.2 V.5 CPU board for MICROPACK | |
| | Standard replacement | |
| 1131.33.045 | PCB 1410.4 V.5 CPU board for MICRORACK | |
| | Standard replacement | |
| 1139.97.010 | PCB 1332.1 6 x 2.3 kW power board | |
| 1139.98.010 | PCB 1333.1 front plate board | |
| 39259 | 75176 B driver | |
| 6113.34.003 | Twin Schuko socket | |
| 6113.34.012 | Twin NF / CEBEC socket | |
| 6113.63.045 | CEE 16A socket | |
| 6130.99.139 | CPU fuse holder | |
| 6136.10.045 | Airpax 66F060 thermostat | |
| 6166.13.100 | Tech 1023 filtering choke | |
| 6302.09.020 | IT 153 Schaffner transformer | |
| 6351.90.418 | BTA 41800 B triac | |
| 7074.10.035 | Sunon 12V fan | |

Distributed by AMLUX srl, 46042, Castel Goffredo (MN), info@amlux.it, www.amlux.it

MIKAPACK 15

| Code | Description | |
|-------------|---------------------|--|
| 5021.04.010 | Thyristor board | |
| 5021.04.020 | Control board | |
| 5021.04.030 | Interface board | |
| 5021.04.040 | DMX connector board | |
| 5021.04.050 | ATMEL driver board | |
| 5021.04.060 | IC main software | |
| 5021.04.070 | DC/DC converter | |
| 5021.04.080 | Line driver | |
| 5021.04.090 | Optocoupler | |
| 5021.04.100 | CEBEC socket | |
| 5021.04.110 | SCHUKO socket | |
| 5021.04.120 | SWISS socket | |
| 5021.04.130 | UK socket | |
| 5021.04.140 | CEE socket | |
| 5021.04.150 | Circuit breaker | |
| 5021.04.160 | Front handle | |
| 5021.04.170 | Front plate | |

Distributed by AMLUX srl, 46042, Castel Goffredo (MN), info@amlux.it, www.amlux.it

MIKAPACK 30

| Code | Description | |
|-------------|---------------------|--|
| 5021.04.040 | DMX connector board | |
| 5021.04.070 | DC/DC converter | |
| 5021.04.080 | Line driver | |
| 5021.04.090 | Optocoupler | |
| 5021.04.100 | CEBEC socket | |
| 5021.04.110 | SCHUKO socket | |
| 5021.04.120 | SWISS socket | |
| 5021.04.130 | UK socket | |
| 5021.04.140 | CEE socket | |
| 5021.04.150 | Circuit breaker | |
| 5021.05.010 | Thyristor board | |
| 5021.05.020 | Control board | |
| 5021.05.030 | Interface board | |
| 5021.05.050 | ATMEL driver board | |
| 5021.05.060 | IC main software | |
| 5021.05.160 | Front handle | |
| 5021.05.170 | Front plate | |

Distributed by AMLUX srl, 46042, Castel Goffredo (MN), info@amlux.it, www.amlux.it

EURORACK 50

| Code | Description | |
|-------------|--------------------------------------|--|
| 1131.01.030 | PCB 1336.3 24-channel analogue board | |
| | Standard replacement | |
| 1131.40.500 | PCB 1459 EMC filtering board | |
| | Standard replacement | |
| 1131.42.001 | PCB 1410.10 24-channel CPU board | |
| | Standard replacement | |
| 1139.97.020 | PCB 1332.2 6 x 2.3 kW power board | |
| | Standard replacement | |
| 1139.98.040 | PCB 1333.4 front plate board | |
| | Standard replacement | |
| 39259 | 75176 B driver | |
| 6113.34.003 | Twin Schuko socket | |
| 6113.34.012 | Twin NF / CEBEC socket | |
| 6113.63.045 | CEE 16A socket | |
| 6130.99.515 | CPU fuse holder | |
| 6136.10.045 | Airpax 66F060 thermostat | |
| 6166.13.100 | Tech 1023 filtering choke | |
| 6300.00.510 | 380/12V 2VA synchro transformer | |
| 6302.09.020 | IT 153 Schaffner transformer | |
| 6351.90.418 | BTA 41800 B triac | |
| 7074.10.070 | SUNON 12V fan | |

EURORACK 50+

(hereafter the changes compared to EURORACK 50)

| Code | Description | |
|-------------|----------------------------------|--|
| 1131.42.010 | PCB 1410.11 24-channel CPU board | |
| | Standard replacement | |
| 1139.98.020 | PCB 1333.2 front plate board | |
| | Standard replacement | |

Distributed by AMLUX srl, 46042, Castel Goffredo (MN), info@amlux.it, www.amlux.it

EURORACK 60

| Code | Description | |
|-------------|---|--|
| 1131.01.030 | PCB 1336.3 24-channel analogue board | |
| | Standard replacement | |
| 1131.20.040 | PCB 1355.4 synchro + diagnostic board | |
| | Standard replacement | |
| 1131.21.010 | PCB 1357.1 1-DMX input board | |
| | Standard replacement | |
| 1131.21.020 | Pcb 1357.2 2-DMX input board | |
| | Standard replacement | |
| 1131.23.010 | PCB 1363.1 2-contactor board | |
| | Standard replacement | |
| 1131.33.065 | PCB 1410.6 24-channel CPU board | |
| | Standard replacement | |
| 1131.39.630 | PCB 1431.3 6 x 3 kW power board | |
| | Standard replacement | |
| 1131.39.640 | PCB 1431.4 3 x 5 kW power board | |
| | Standard replacement | |
| 1139.98.020 | PCB 1333.2 front plate board | |
| | Standard replacement | |
| 39259 | 75176 B driver | |
| 39262 | Eeprom ST93S66 - Programmed | |
| 6130.99.515 | CPU fuse holder | |
| 6136.10.045 | Airpax 66F060 thermostat | |
| 6300.00.315 | 220V 10V-3A / 9V-0,1A toroidal transformer | |
| 6302.09.020 | IT 153 Schaffner transformer | |
| 6351.84.345 | BTW 68-1200 3 Kw thyristor | |
| 6351.85.200 | MSS 50-800 5 Kw thyristor for PCB 1431 / 1404 | |
| 7074.10.040 | Fan | |

Distributed by AMLUX srl, 46042, Castel Goffredo (MN), info@amlux.it, www.amlux.it

EURODIM Twin Tech

| Code | Description | |
|-------------|--|--|
| 1115.10.055 | IHM for the cabinet | |
| 1115.10.200 | Grey terminal block (output) | |
| 1115.10.205 | Blue terminal block (output) | |
| 1115.10.210 | Main fan | |
| 1115.10.220 | Main fan assembly | |
| 1115.10.230 | Cardage CPU | |
| 1115.10.240 | Filter kit | |
| 1130.27.911 | PCB 3048 IHM buttons board | |
| 1131.44.301 | PCB 3018 backplane input - firing - diag | |
| 1131.44.411 | PCB 3019.1 dimmer 4 x 3 kW board | |
| 1131.44.421 | PCB 3019.2 dimmer 3 x 5 kW board | |
| 1131.44.430 | PCB 3019.3 dimmer 4 x 3 kW SW board | |
| 1131.44.440 | PCB 3019.4 dimmer 3 x 5 kW SW board | |
| 1131.44.502 | PCB 3020 terminal IHM board | |
| 1131.45.101 | PCB 3026.0 power board 4 x 3 kW for module type HD | |
| 1131.45.111 | PCB 3026.1 power board 4 x 3 kW for modules type T; P; H; R and F | |
| 1131.45.121 | PCB 3026.2 power board 3 x 5 kW for module type HD | |
| 1131.45.131 | PCB 3026.3 power board 4 x 3 kW for modules type TD; PD; RD and FD | |
| 1131.45.141 | PCB 3026.4 power board 3 x 5 kW for modules type TD; PD and RD | |
| 1131.45.151 | PCB 3026.5 power board 3 x 5 kW for modules type T; P; H and R | |
| 1131.45.400 | PCB 3029 backplane CPU board | |
| 1131.45.600 | PCB 3031 I/O client DMX Ethernet board | |
| 1131.45.700 | PCB 3032 backplane output board | |
| 1131.46.500 | PCB 3043 CAPAS EMC board | |
| 6380.50.130 | Display for IHM | |

Distributed by AMLUX srl, 46042, Castel Goffredo (MN), info@amlux.it, www.amlux.it

EURODIM 3

| Code | Description | |
|-------------|---|-----------------------------|
| 1130.27.310 | PCB 1306 board for fluo module | |
| | | Standard replacement |
| 1130.27.542 | PCB1417 dimmer module LED board | |
| | | Standard replacement |
| 1130.27.590 | PCB 1247 backplane board w/o thermostat | |
| | | Standard replacement |
| 1131.23.010 | PCB 1363.1 2-contactor board | |
| | | Standard replacement |
| 1131.33.087 | PCB 1410.8 V.5 CPU board | |
| | | Standard replacement |
| 1131.40.912 | PCB 1468 central electronics board | |
| 1131.41.012 | PCB 1470 back-up electronics board | |
| 1131.41.100 | PCB 1471 EMC filtering board | |
| | | Standard replacement |
| 1131.41.200 | PCB 1472 DMX input board | |
| | | Standard replacement |
| 1131.46.800 | PCB 3051 new power supply board | |
| | | Standard replacement |
| 1131.46.901 | PCB 3052 new firings board | |
| | | Standard replacement |
| 1139.98.030 | PCB 1333.3 frontpanel board | |
| | | Standard replacement |
| 39259 | 75176 B driver | |
| 4071.27.703 | Connector holder for dimmer module | |
| 4071.47.281 | Plug Ø 6 + double faston for dimmer module | |
| 4071.47.630 | Output male contact + double faston | |
| 6118.45.405 | 3P 20A/220V contactor | |
| 6136.10.060 | TH1 thermostat | |
| 6150.00.700 | CPU selector switch | |
| 6300.00.254 | Transformer for PCB 1306 | |
| 6300.00.510 | 380/12V 2VA synchro transformer | |
| 6300.03.150 | Transformer for PCB1468 | |
| 6351.84.345 | BTW 68-1200 3 Kw thyristor | |
| 6351.85.200 | MSS 50-800 5 Kw thyristor for PCB 1431 / 1404 | |
| 6351.86.300 | 2 x 3 kW SSR power cube | |
| 6351.86.330 | 1 x 10 kW SSR power cube | |
| 6351.86.340 | 1 x 5 kW SSR power cube | |
| 7074.10.090 | Fan | |

Note: without double electronics 1 x PCB 3051 + 1 PCB 3052, with double electronics 1 x PCB 3051 + 2 PCB 3052

Distributed by AMLUX srl, 46042, Castel Goffredo (MN), info@amlux.it, www.amlux.it

MENTOR

| Code | Description | |
|--------------|--|--|
| 1130.27.671 | PCB 1509 central electronics board | |
| | Standard replacement | |
| 1130.27.680 | PCB 1510 memory board | |
| | Standard replacement | |
| 1130.27.810 | Hardware patch board P3001 | |
| 1131.42.201 | PCB 1511 24-submaster board | |
| | Standard replacement | |
| 1131.42.400 | PCB 1520 CPU USB board | |
| | Standard replacement | |
| 1131.42.501 | PCB 1522 extra wing power supply board | |
| | Standard replacement | |
| 2810.00.270 | Diskette reader | |
| 2810.01.130P | Hard disk(Programmed) | |
| 5000.35.020 | Digital wheel subassembly | |
| 6150.06.690 | Submaster fader button 11mm | |
| 6150.06.695 | Playback fader button 15mm | |
| 6150.09.200 | Push button with LED | |
| 6150.09.250 | Key without LED | |
| 6150.09.301 | Keycap with LED | |
| 6150.09.351 | Keycap without LED | |
| 6150.70.520 | Pushbutton ON | |
| 6318.11.765 | Submaster fader 60mm | |
| 6318.11.770 | Playback fader 100mm | |
| 6341.30.004 | Motherboard EV EMB 9460 | |
| 6341.30.007 | Motherboard EPIA-V-6000 | |
| 6341.30.052 | SDRAM-PC133 | |
| 6341.80.321 | Power supply LAMBDA | |
| 6380.50.017 | 16-character LCD display | |
| 6380.50.120 | 320*240 display with touchpanel | |

Distributed by AMLUX srl, 46042, Castel Goffredo (MN), info@amlux.it, www.amlux.it

MENTOR/XT

| Code | Description | |
|-------------|------------------------------------|--|
| 43074 | Motherboard EN 1200 | |
| 1130.27.671 | PCB 1509 central electronics board | |
| | Standard replacement | |
| 1130.27.680 | PCB 1510 memory board | |
| | Standard replacement | |
| 1131.42.201 | PCB 1511 24-submaster board | |
| | Standard replacement | |
| 1131.42.400 | PCB 1520 CPU USB board | |
| | Standard replacement | |
| 5000.35.020 | Digital wheel subassembly | |
| 6150.06.690 | Submaster fader button 11mm | |
| 6150.06.695 | Playback fader button 15mm | |
| 6150.70.520 | Pushbutton ON | |
| 6341.80.321 | Power supply LAMBDA | |
| 6380.50.017 | 16-character LCD display | |
| 6380.50.120 | 320*240 display with touchpanel | |

Distributed by AMLUX srl, 46042, Castel Goffredo (MN), info@amlux.it, www.amlux.it

MIKADO

| Code | Description | |
|-------------|------------------------------------|--|
| 1001.33.000 | CPU and power supply circuit board | |
| 1001.33.010 | Connecting Loom | |
| 1001.33.025 | Encoder wheel | |
| 1001.33.030 | Pushbutton switch | |
| 1001.33.070 | Memory module | |
| 39313 | 60 mm slide fader | |
| 39318 | Fader knob black/white | |
| 39379 | Fader circuit board | |
| 39420 | Pushbutton cap | |

Distributed by AMLUX srl, 46042, Castel Goffredo (MN), info@amlux.it, www.amlux.it

DOMINO

| Code | Description | |
|-------------|------------------------|--|
| 1001.33.030 | Pushbutton switch | |
| 1001.33.055 | Display board | |
| 1001.33.065 | Transfert board | |
| 39313 | 60 mm slide fader | |
| 39318 | Fader knob black/white | |
| 39375 | RAM 512K circuit | |
| 39379 | Fader circuit board | |
| 39382 | CPU board | |
| 39420 | Pushbutton cap | |
| 39435 | Accumulator | |

Distributed by AMLUX srl, 46042, Castel Goffredo (MN), info@amlux.it, www.amlux.it

SWING 6 / 12

| Code | Description | |
|-------------|-----------------------------------|--|
| 1105.30.470 | Power supply 9V 0.3A - ALIM/SWING | |
| 1105.30.475 | 10 KB Alpha potentiometer | |
| 1105.30.495 | PIC microcontroller for SWING 6 | |
| 1105.30.497 | PIC microcontroller for SWING 12 | |
| 39259 | 75176 B driver | |
| 39261 | AD557 I.C. | |
| 39264 | Voltage regulator MC78T05CT 5V | |
| 6150.06.615 | Fader button 11mm grey/black | |

Distributed by AMLUX srl, 46042, Castel Goffredo (MN), info@amlux.it, www.amlux.it

BOLERO / TANGO - Common parts

| Code | Description | |
|-------------|-------------------------------|--|
| 39040 | Zener diode 1N5341 | |
| 39196 | Optocoupler 6N136 | |
| 39197 | Converter MNA 0505 S | |
| 39259 | 75176 B driver | |
| 6150.06.610 | Fader button 11mm grey/white | |
| 6150.06.615 | Fader button 11mm grey/black | |
| 6150.06.660 | Fader button 15mm grey/white | |
| 6150.06.665 | Fader button 15mm grey/black | |
| 6150.06.675 | Fader button 15mm grey/red | |
| 6150.06.680 | Fader button 15mm grey/blue | |
| 6150.06.685 | Fader button 15mm grey/yellow | |
| 6150.09.000 | Push button | |
| 6150.31.425 | ON/OFF key switch with key | |
| 6172.01.013 | Battery CR 2477 N | |
| 6300.00.170 | Transformer 2x115V / 2x9V-14V | |
| 6318.11.730 | 5 KB ALPS potentiometer | |
| 6370.80.552 | 80C552-5 I.C. | |
| 6380.50.016 | LCD display | |

BOLERO / TANGO

| Code | Description | |
|-------------|--|--|
| 1139.81.014 | PCB 1308.1 24-potentiometer board for TANGO | |
| | Standard replacement | |
| 1139.81.024 | PCB 1308.2 24-potentiometer board for BOLERO | |
| | Standard replacement | |
| 1139.82.007 | PCB 1309.3 CPU w/ power supply for TANGO | |
| | Standard replacement | |
| 1139.83.004 | PCB1310 V.4 CPU w/ power supply for BOLERO | |
| | Standard replacement | |
| 1139.84.010 | 24-ch analog board for BOLERO 12/24 & TANGO 24 | |
| 1139.84.020 | 48-channel analogue board for TANGO 48 | |

Distributed by AMLUX srl, 46042, Castel Goffredo (MN), info@amlux.it, www.amlux.it

ADB-TTV Technologies S.A, Zaventem, Belgium

General Terms and Conditions of Sale

(February 2004 Edition)

Prices

Unless stipulated otherwise, our prices shall be in euros, exclusive of VAT and shall be understood to apply to materials in standard packing ex works Saint-Quentin, France. Any order of less than € 100, exclusive of VAT, shall give rise to an additional charge of € 20, exclusive of VAT.

Quotations

Unless stipulated otherwise, our quotations shall be valid for 30 days.

Acceptance of Orders

Orders shall be regarded as final only after being confirmed by us in writing. The acceptance of our quotations by the buyer shall imply his full agreement with our general terms and conditions of sale.

Term of delivery

The term of delivery shall be generally given as indication only, and shall run from the day the order becomes final until the day the goods are made available at our warehouse. The term of delivery can be confirmed only if the buyer provides all administrative documents and technical information as may be necessary for handling the order. We shall not be bound to respect the term confirmed, if the buyer modifies an order which is already being executed, or in the event of force majeure. Unless specifically agreed in writing, we shall not accept any penalty, nor the buyer's right to cancel his order or refuse the goods.

Should the buyer be unable to take delivery of the goods put at his disposal, these shall be stored at the buyer's expense and risk whilst the terms of payment shall remain unaffected.

Transport

Unless otherwise agreed, our terms of delivery shall be ex works (EXW / Incoterms 2000) Saint-Quentin, France. The goods shall travel at the consignee's risk, even if they are dispatched carriage paid (CPT / Incoterms 2000). The goods shall originally be delivered in individual, standard packing. Any request for a specific packing (seaworthy packing, etc.) shall be charged additionally.

Spare parts and goods for repair shall be dispatched carriage forward or cash on delivery.

Complaints

To be valid, any complaint must be notified to us upon receipt of the consignments within a maximum of 8 days. No return of material shall be accepted without our prior agreement.

Payments – Sales in Belgium

Unless stipulated otherwise, all our invoices shall be payable cash, without discount, at our company's registered office at Zaventem, Belgium.

The default of payment of one invoice on its due date shall imply the expiry of the term of payment and make all our claims, even those not fallen due, forthwith due and payable. Any amount unpaid on its due date shall rightfully, and without prior notice, bear interest from the date the claim falls due, at an annual rate of 12%.

Payments – Export Sales

Unless stipulated otherwise or stated as special terms and conditions in our quotations and sales agreements, all our invoices shall be payable by irrevocable letter of credit opened on the date of order for 100% of the contract value and confirmed by a first class European bank. The costs shall be borne by the buyer.

Penalty

In the event of insolvency of the debtor, the amounts due, collected judicially, shall be increased by a 20% penalty in addition to the interests on the overdue amounts.

Distributed by AMLUX srl, 46042, Castel Goffredo (MN), info@amlux.it, www.amlux.it

Reservation of Property

Our company shall remain the owner of the goods delivered until their full payment which alone shall bring about the transfer of ownership. However, from the delivery of the goods, the buyer shall be solely liable for their loss or destruction.

Jurisdiction

In the event of a dispute, the Brussels Courts alone shall be deemed to be competent.

Liability

Our company shall not be held liable for any direct or indirect damage caused by the late delivery or an abnormal use of the goods. Our company shall under no circumstances be held liable for damages which were unavoidable because of the improper use of our materials, and/or a use contrary to the laws, regulations, standards and common practice, which the user should have imperatively observed when using our products.

Warranty

Our materials are warranted against any defect of fabrication for one year reckoning from the date of delivery, with the exception of defects resulting from improper handling or use. Repairs and replacements shall be carried out in our factory, without the immobilisation of the material entitling the buyer to claim any damage. Shipping costs shall be borne by the buyer.

Lamps, iris diaphragms, colour filters and other consumable products shall be excluded from our warranty.

Distributed by AMLUX srl, 46042, Castel Goffredo (MN), info@amlux.it, www.amlux.it



Your Partner for Light

ADB
Lighting Technologies

Belgium N.V. ADB-TTV Technologies S.A.
Group Headquarters
Leuvensesteenweg 585
B-1930 Zaventem
Tel: +32 (0)2.709.32.11
Fax: +32 (0)2.709.32.30
E-Mail: adb@adblighting.com

France ADB S.A.S.
Sales Office
92, Avenue Jean Jaurès
F-92120 Montrouge
Tel: +33 (0)1.41.17.48.50
Fax: +33 (0)1.42.50.51.76
E-Mail: adb.fr@adblighting.com

France ADB S.A.S.
Factory & Group Logistics Centre
Zone industrielle Rouvroy
F-02100 Saint-Quentin
Tel: +33 (0)3.23.06.35.70
Fax: +33 (0)3.23.07.23.36
E-Mail: adb.fr@adblighting.com

Hong Kong ADB Lighting Asia Ltd
Suite 2414,
Level 24,
Two Pacific Place, 88
Queensway
Tel: +852.903.232.27
E-Mail: adb@adblighting.com

www.adblighting.com